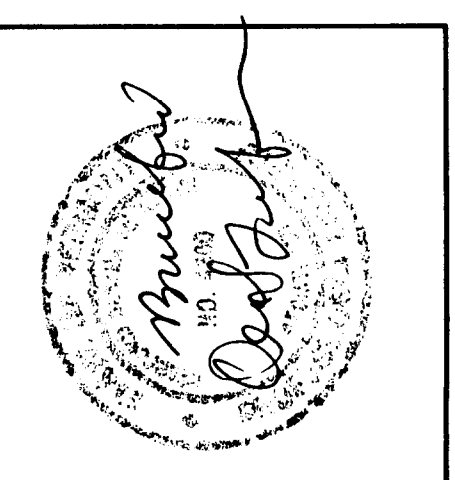


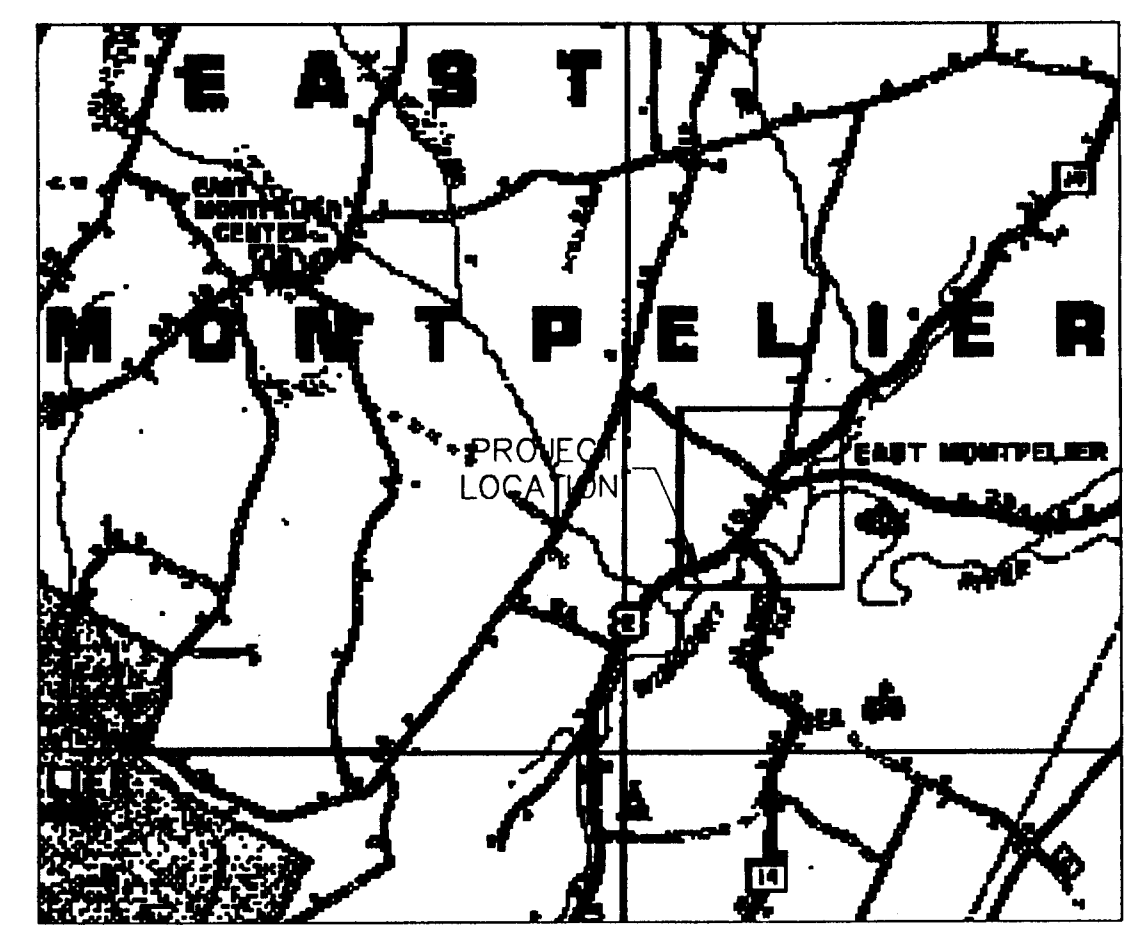
REVISIONS		
REV. 1	4/9/03	MMP
REV. 2	5/14/03	MMP
REV. 3	8/6/03	MMP
REV. 4	8/12/03	MMP
REV. 5	1/6/06	BDL
REV. 6	5/3/06	BDL

Lefavour P.C.
 Engineering and Environmental Services
 42 Dolan Road
 Middlesex, Vermont 05602
 tel: (802) 224-9060

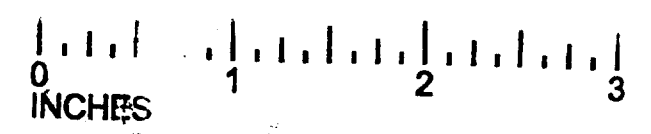


CASSANI
 RT 2
 EAST MONTEPELIER, VT
 6 LOT SUBDIVISION
 WASTEWATER DISPOSAL SYSTEM
 PLANS AND DETAILS

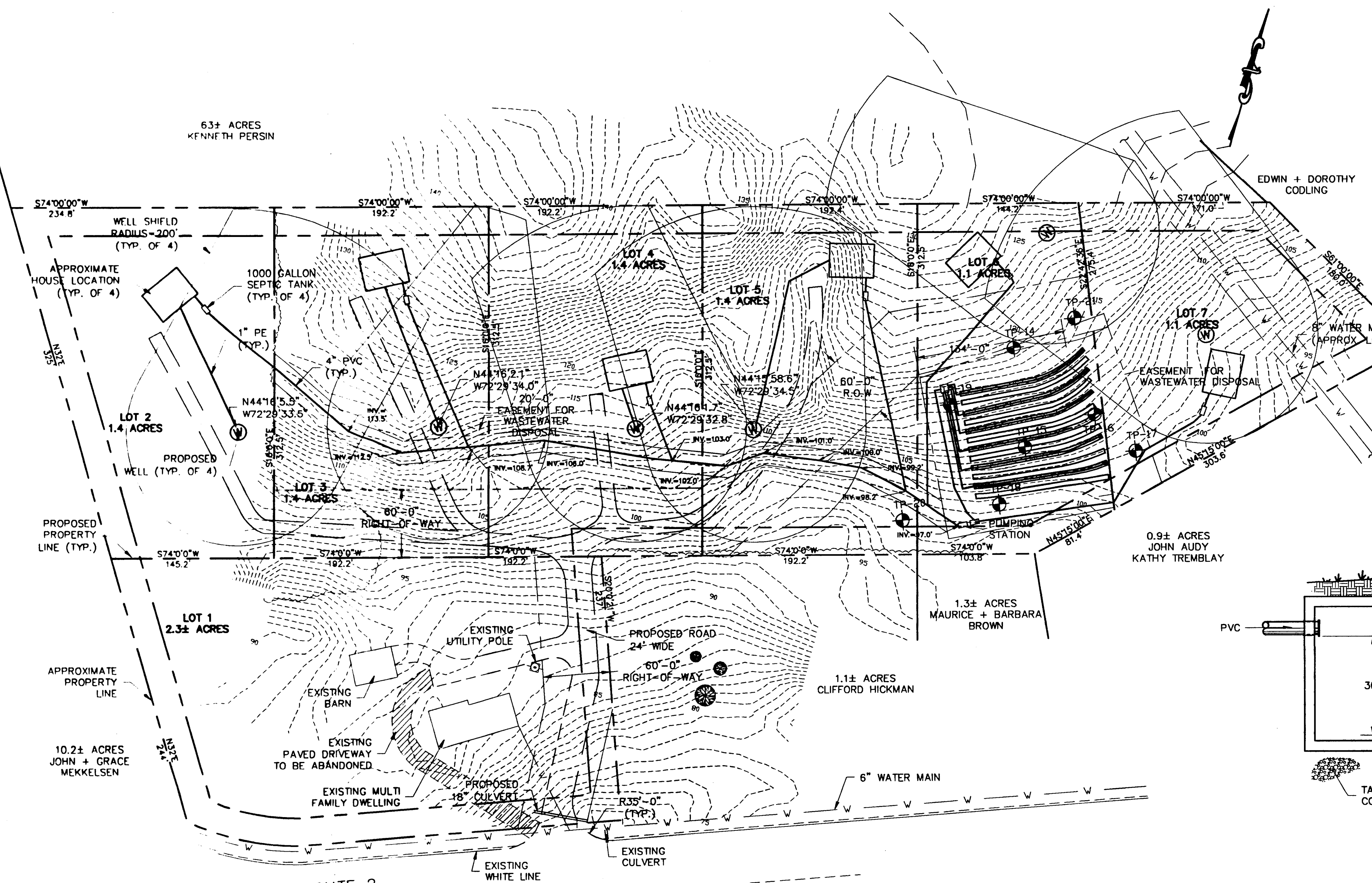
PROJECT NO. 176
 DESIGNED BY: MMP
 CHECKED BY: BDL
 DATE: 1/2003
 SCALE: AS NOTED



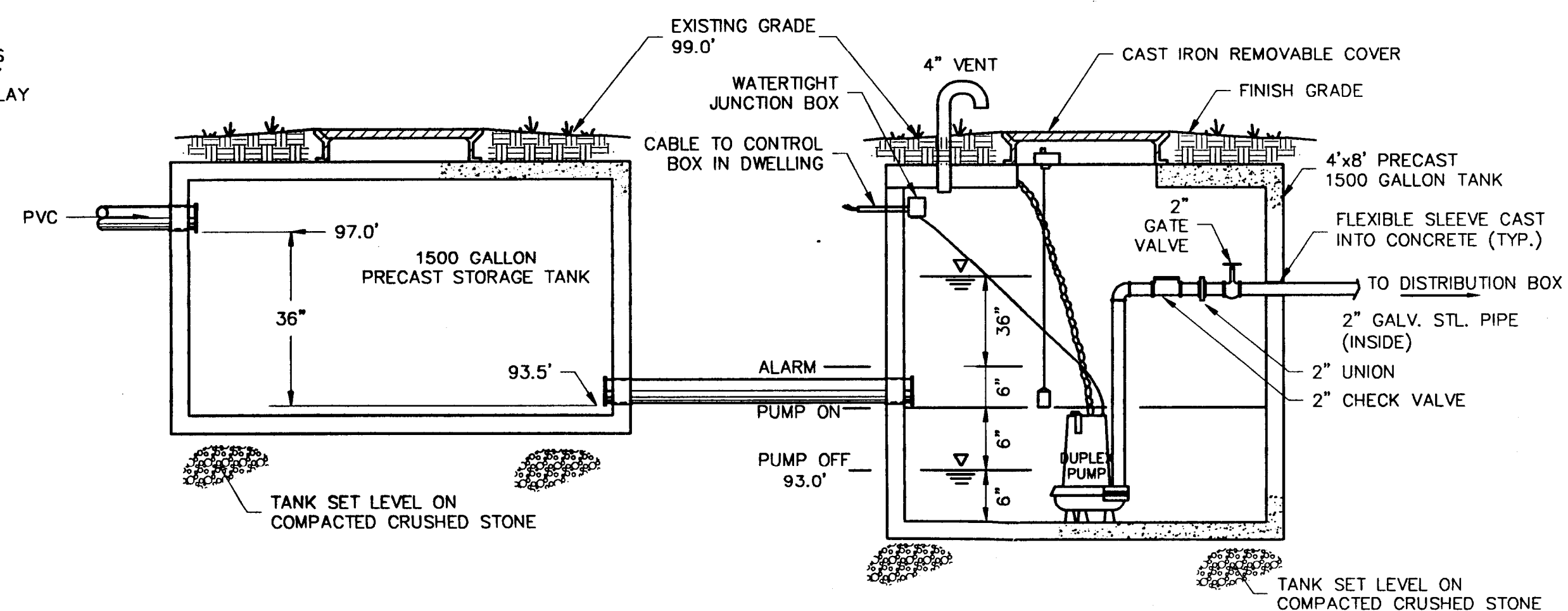
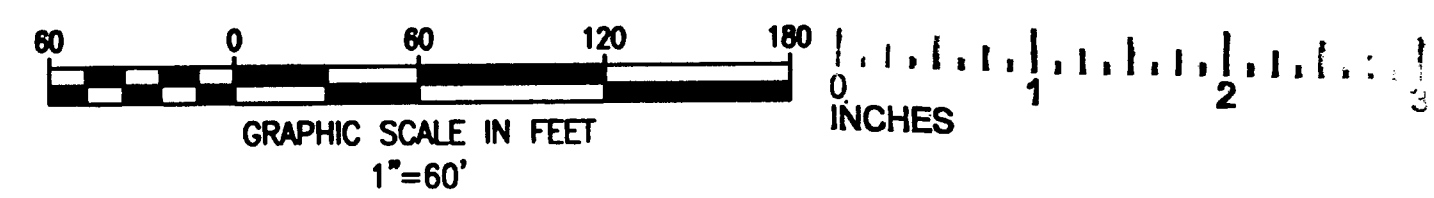
LOCATION MAP
 SCALE: 1"=4000'±



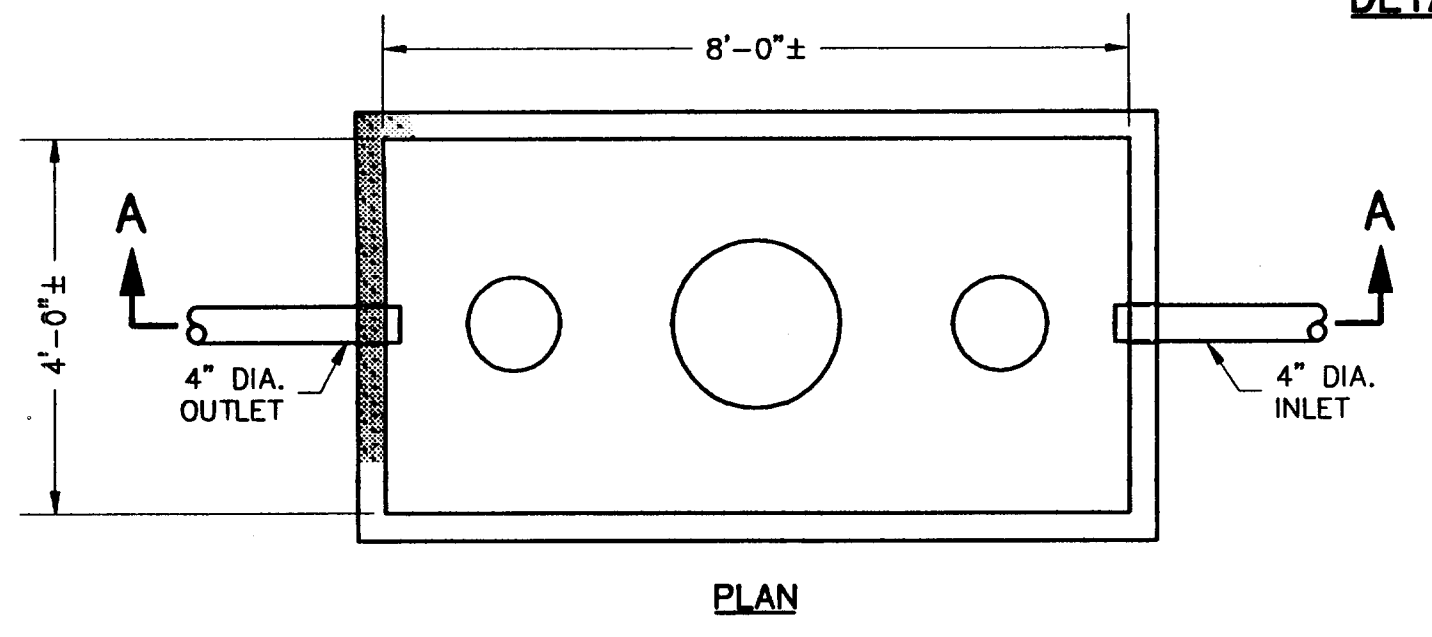
- LEGEND**
- PROPERTY LINE
 - - - - - EXISTING CONTOUR
 - ~~~~~ EXISTING TREELINE
 - - - - - EDGE OF EXISTING ROAD
 - - - - - PROPOSED DRIVEWAY
 - - - - - PROPOSED EASEMENT
 - W EXISTING WATERLINE
 - W NEW PVC PIPE SEE PLAN FOR SIZE
 - W NEW PERFORATED PVC PIPE SEE PLAN FOR SIZE
 - TP-X TEST PIT LOCATION
 - W PROPOSED WELL
 - ⊙ EXISTING UTILITY POLE



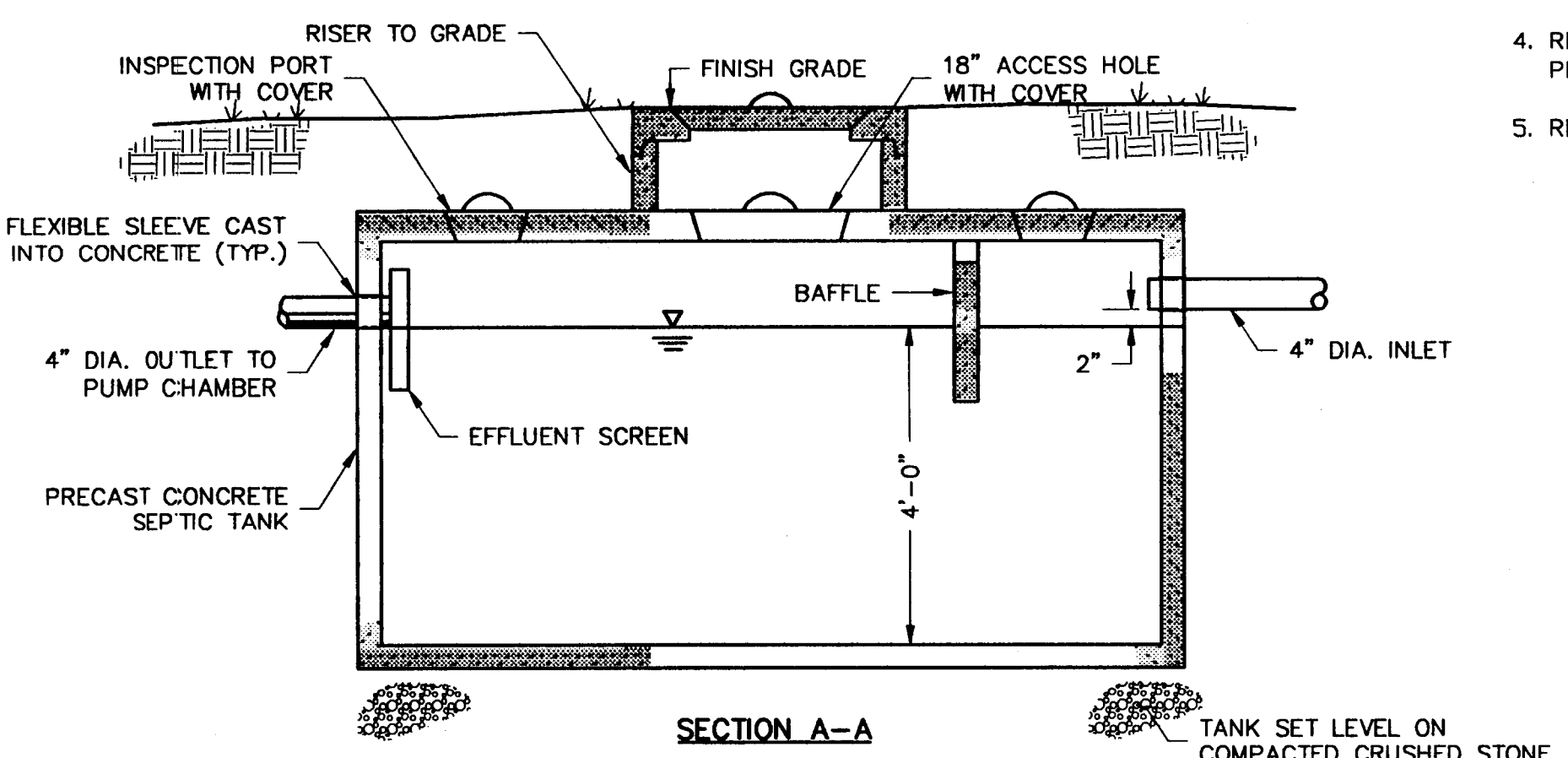
SITE PLAN



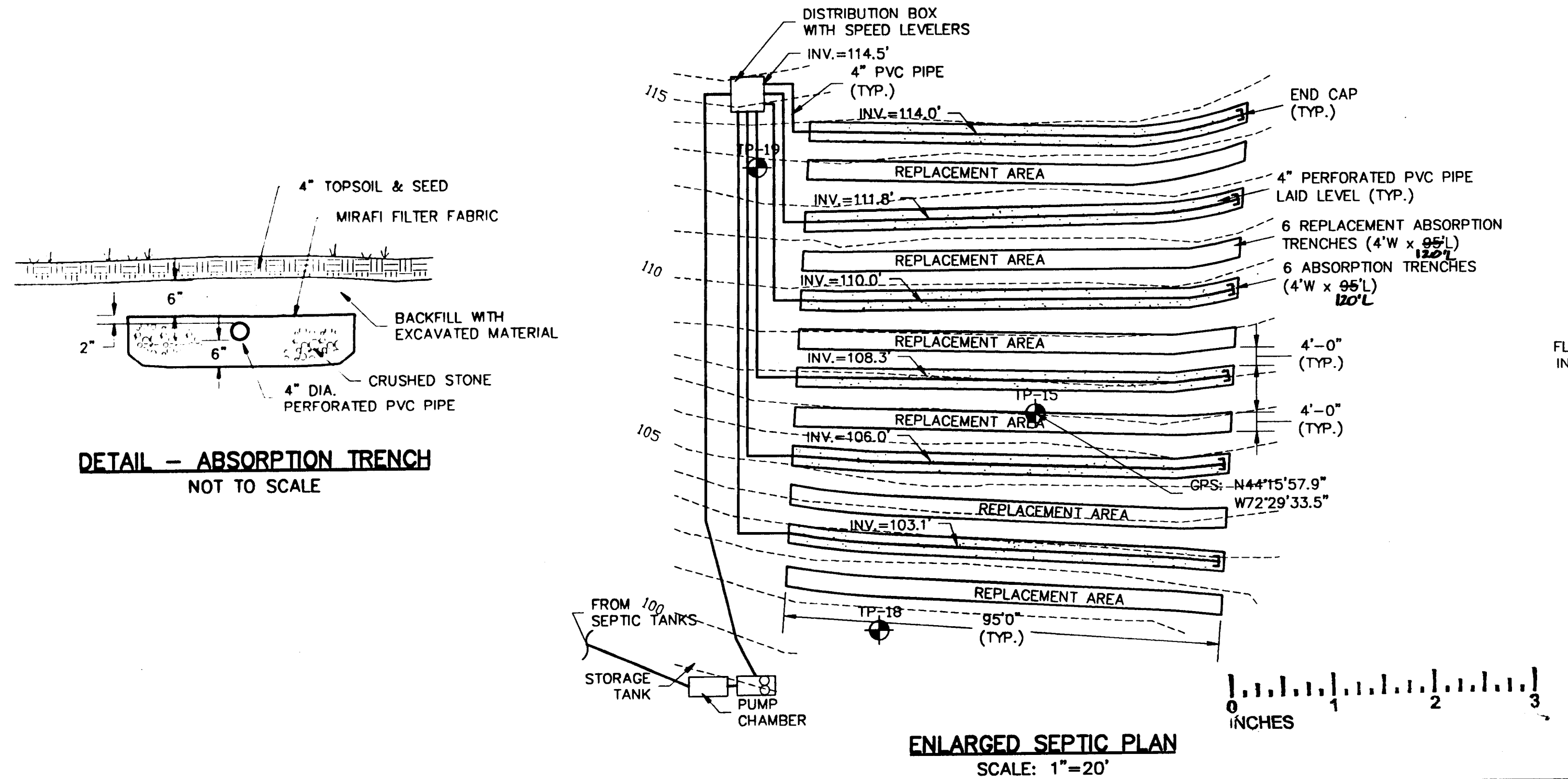
DETAIL - SEPTIC TANK EFFLUENT PUMP CHAMBER
 NOT TO SCALE



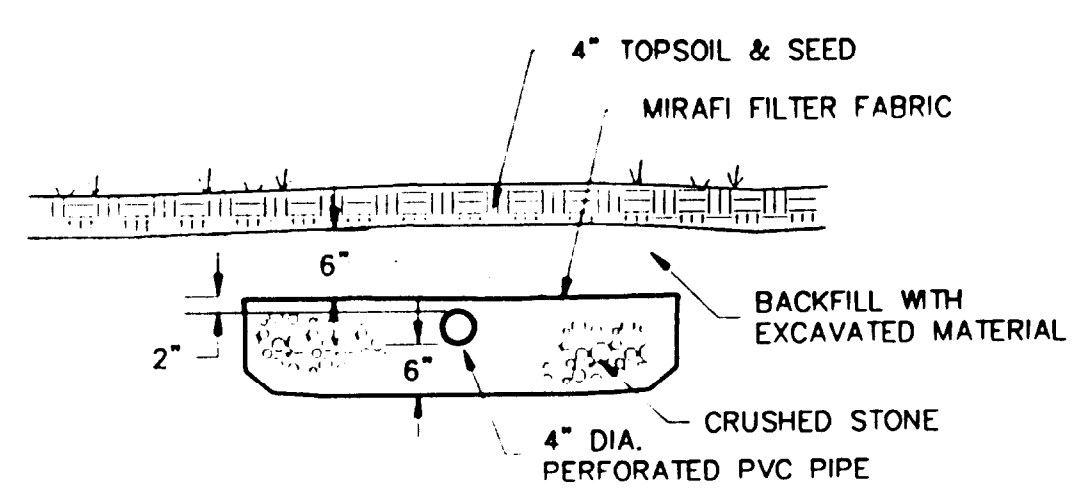
PLAN



DETAIL - 1000 GALLON SEPTIC TANK
 NOT TO SCALE



ENLARGED SEPTIC PLAN
 SCALE: 1"=20'



DETAIL - ABSORPTION TRENCH
 NOT TO SCALE

GENERAL NOTES:

- THIS SYSTEM IS DESIGNED FOR 6 NEW 4 BEDROOM HOMES, PLUS EXISTING 2 FAMILY 6 BEDROOM DWELLING (2280 GALLONS PER DAY).
- CONSTRUCTION SHALL BE IN ACCORDANCE WITH STATE OF VERMONT, ENVIRONMENTAL PROTECTION RULES.
- ALL BURIED PIPE SHALL BE PVC, SDR 26 (MIN. THICKNESS).
- REQUIRED MINIMUM WELL YIELD IS 1.5 GALLONS PER MINUTE. PROVIDE 5GPM PUMP SYSTEM.
- REFER TO SPECIFICATIONS FOR MORE INFORMATION.

Dept. Of Environmental Conservation
 Approved: [Signature]
 Permit #: [Number]
 Date: [Date]

GPS LOCATION DATA (NAD 83)

LOT #	WATER SUPPLY	DISPOSAL AREA
1.	CRYSTAL SPRINGS	N44°16'5.6" W72°29'27.5"
2	N44°16'02.0" W72°29'36.8"	N44°16'5.6" W72°29'27.5"
3	N44°16'03.2" W72°29'34.4"	N44°16'5.6" W72°29'27.5"
4	N44°16'4.1" W72°29'31.6"	N44°16'5.6" W72°29'27.5"
5	N44°16'4.6" W72°29'30.5"	N44°16'5.6" W72°29'27.5"
6	N44°16'8.3" W72°29'28.4"	N44°16'5.6" W72°29'27.5"
7	N44°16'7.4" W72°29'24.7"	N44°16'5.6" W72°29'27.5"

RECEIVED
 MAY 03 2006
 WASTEWATER MANAGEMENT DIVISION