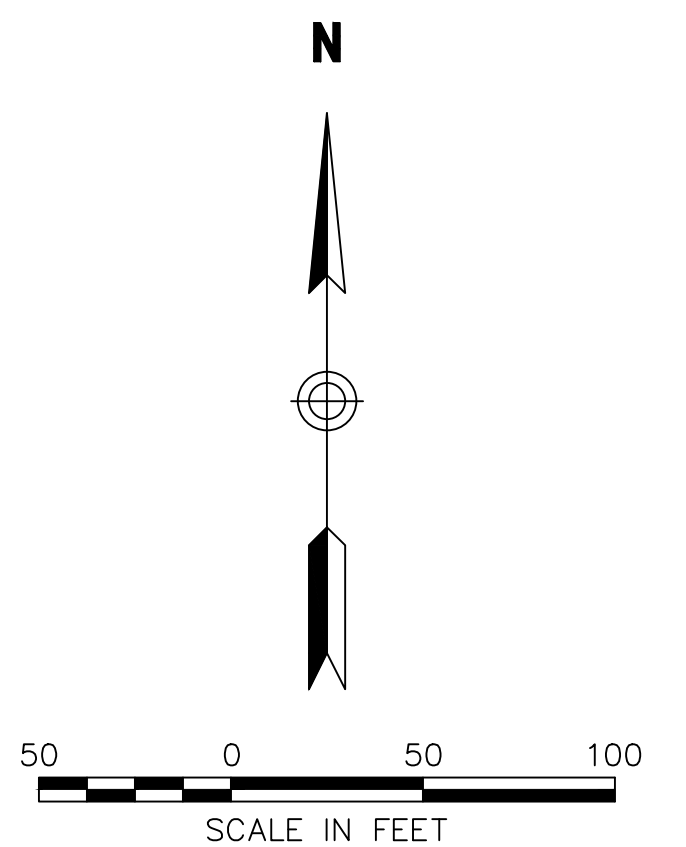




40 IDX Dr  
 Building 100 Suite 200  
 South Burlington, VT 05403  
 802.497.6100



**BDE East Montpelier Solar, LLC**  
 2537 Route 2  
 East Montpelier, Vermont

No.	Revision	Date	Appr.

Designed by	CJH	Checked by	PBS
Issued for		Date	
<b>248 Permit Filing</b>		<b>Dec. 29, 2015</b>	

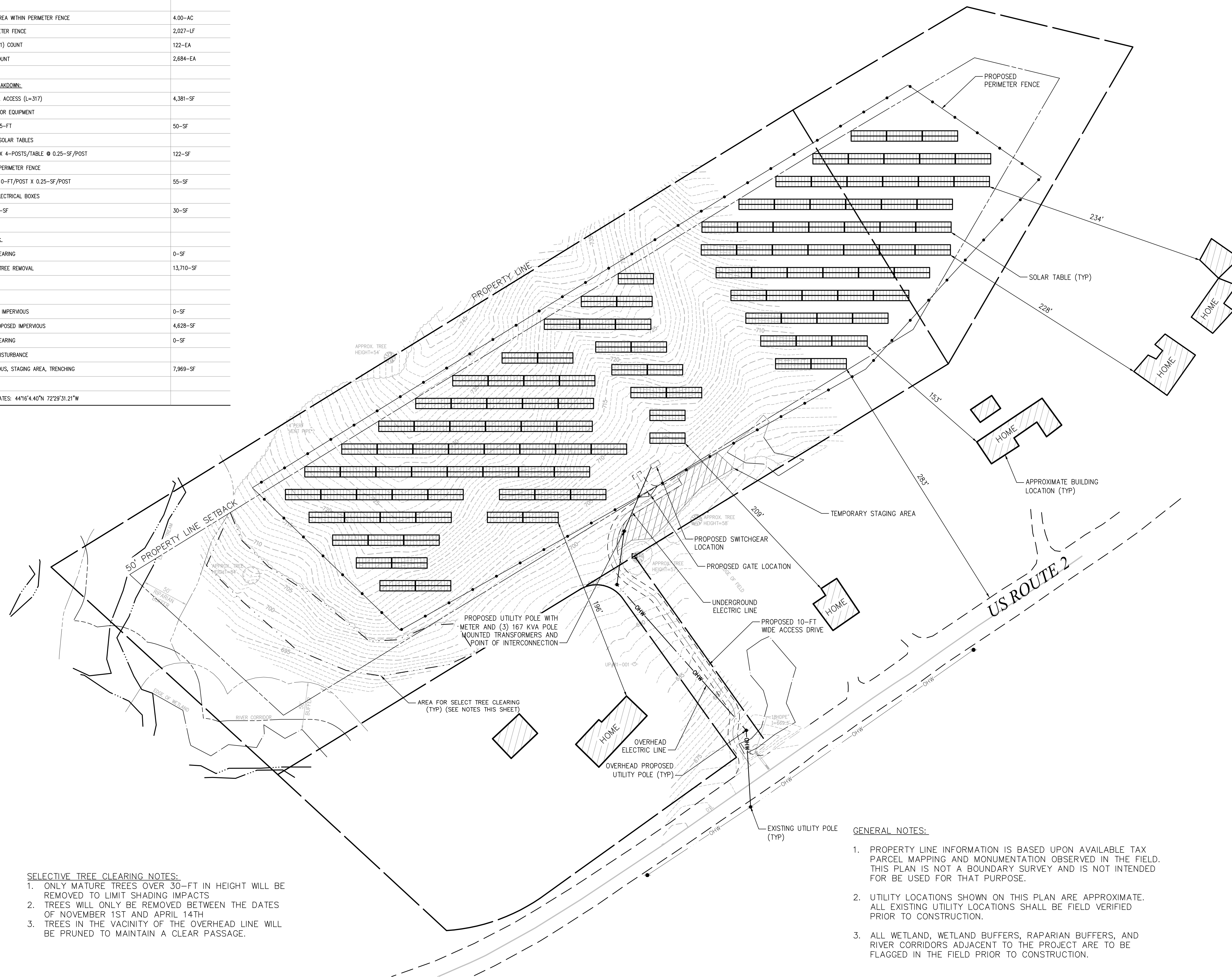
**Not Approved for Construction**  
 Drawing Title  
**Existing Conditions Site Plan**

- GENERAL NOTES:**
1. PROPERTY LINE INFORMATION IS BASED UPON AVAILABLE TAX PARCEL MAPPING AND MONUMENTATION OBSERVED IN THE FIELD. THIS PLAN IS NOT A BOUNDARY SURVEY AND IS NOT INTENDED FOR BE USED FOR THAT PURPOSE.
  2. UTILITY LOCATIONS SHOWN ON THIS PLAN ARE APPROXIMATE. ALL EXISTING UTILITY LOCATIONS SHOULD BE FIELD VERIFIED PRIOR TO CONSTRUCTION.
  3. ALL WETLAND, WETLAND BUFFERS, RIPARIAN BUFFERS, AND RIVER CORRIDORS ADJACENT TO THE PROJECT ARE TO BE FLAGGED IN THE FIELD PRIOR TO CONSTRUCTION.

Saved Monday, December 28, 2015 4:23:22 PM TSHEDD Plotted Monday, December 28, 2015 4:33:49 PM Hokey, Christopher

### Summary Table

ARRAY SUMMARY:	
TOTAL PROJECT AREA WITHIN PERIMETER FENCE	4.00-AC
LENGTH OF PERIMETER FENCE	2,027-LF
SOLAR TABLE (2x11) COUNT	122-EA
SOLAR MODULE COUNT	2,684-EA
IMPERVIOUS AREA BREAKDOWN:	
PROPOSED GRAVEL ACCESS (L=317)	4,381-SF
CONCRETE PADS FOR EQUIPMENT	
(1) 10-FT X 5-FT	50-SF
DRIVEN POSTS - SOLAR TABLES	
122-TABLES X 4-POSTS/TABLE @ 0.25-SF/POST	122-SF
DRIVEN POSTS - PERIMETER FENCE	
2,027-FT / 10-FT/POST X 0.25-SF/POST	55-SF
MISCELLANEOUS ELECTRICAL BOXES	
12-EA @ 2.5-SF	30-SF
TREE REMOVAL AREAS:	
AREA OF TREE CLEARING	0-SF
AREA OF SELECT TREE REMOVAL	13,710-SF
AREA BREAKDOWN:	
AREA OF EXISTING IMPERVIOUS	0-SF
AREA OF NEW PROPOSED IMPERVIOUS	4,628-SF
AREA OF TREE CLEARING	0-SF
AREA OF EARTH DISTURBANCE	
NEW IMPERVIOUS, STAGING AREA, TRENCHING	7,969-SF
PROJECT COORDINATES: 44°16'4.40"N 72°29'31.21"W	

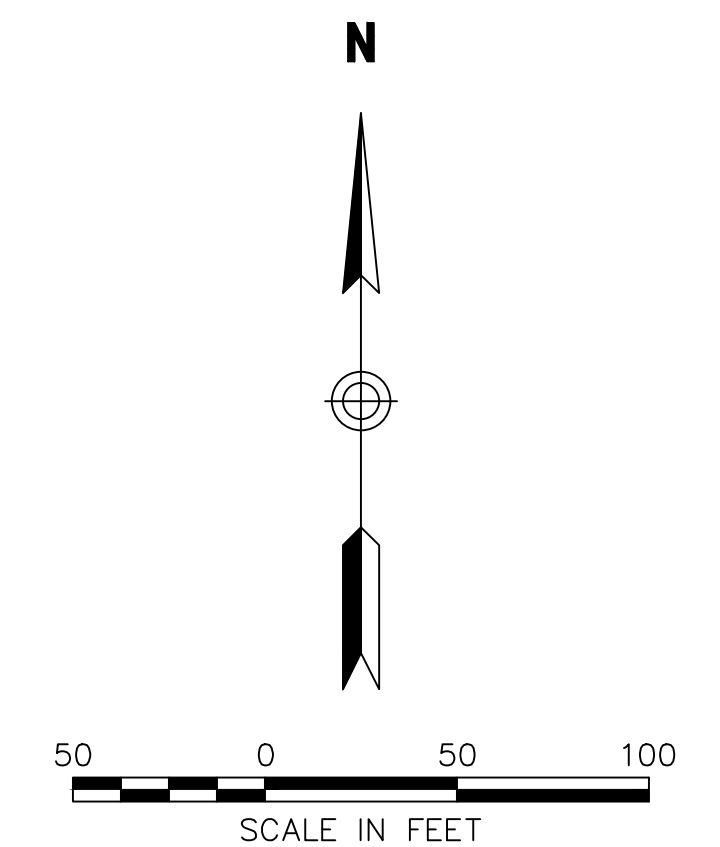


**SELECTIVE TREE CLEARING NOTES:**

- ONLY MATURE TREES OVER 30-FT IN HEIGHT WILL BE REMOVED TO LIMIT SHADING IMPACTS
- TREES WILL ONLY BE REMOVED BETWEEN THE DATES OF NOVEMBER 1ST AND APRIL 14TH
- TREES IN THE VICINITY OF THE OVERHEAD LINE WILL BE PRUNED TO MAINTAIN A CLEAR PASSAGE.

- GENERAL NOTES:**
- PROPERTY LINE INFORMATION IS BASED UPON AVAILABLE TAX PARCEL MAPPING AND MONUMENTATION OBSERVED IN THE FIELD. THIS PLAN IS NOT A BOUNDARY SURVEY AND IS NOT INTENDED FOR BE USED FOR THAT PURPOSE.
  - UTILITY LOCATIONS SHOWN ON THIS PLAN ARE APPROXIMATE. ALL EXISTING UTILITY LOCATIONS SHALL BE FIELD VERIFIED PRIOR TO CONSTRUCTION.
  - ALL WETLAND, WETLAND BUFFERS, RAPARIAN BUFFERS, AND RIVER CORRIDORS ADJACENT TO THE PROJECT ARE TO BE FLAGGED IN THE FIELD PRIOR TO CONSTRUCTION.

40 IDX Dr  
Building 100 Suite 200  
South Burlington, VT 05403  
802.497.6100



**BDE East Montpelier Solar, LLC**  
2537 Route 2  
East Montpelier, Vermont

No.	Revision	Date	Appr.

Designed by **CJH**      Checked by **PBS**  
Issued for **248 Permit Filing**      Date **Dec. 29, 2015**

**Not Approved for Construction**  
Drawing Title: **Proposed Conditions Site Plan**

Drawing Number