

Prepared for:
MIKE GARAND
TOWN OF EAST MONTPELIER
40 KELTON ROAD
PO BOX 157
EAST MONTPELIER , VT 05651
Phone: 802-223-5870

A proposal for
TOWN OF EAST MONTPELIER

Prepared by
R.R. CHARLEBOIS, INC.
Sandy Ladd

Jan 27, 2016

Freightliner 114SD



Components shown may not reflect all spec'd options and are not to scale



Prepared for:
 MIKE GARAND
 TOWN OF EAST MONTPELIER
 40 KELTON ROAD
 PO BOX 157
 EAST MONTPELIER, VT 05651
 Phone: 802-223-5870

Q U O T A T I O N

114SD CONVENTIONAL CHASSIS	
SET FORWARD AXLE - TRUCK DETROIT DD13 12.8L 505 HP @ 1625 RPM, 1900 GOV RPM, 1850 LB/FT @ 975 RPM ALLISON 4500 RDS AUTOMATIC TRANSMISSION WITH PTO PROVISION RT-46-160 46,000# R-SERIES TANDEM REAR AXLE TUFTRAC 46,000# REAR SPRING SUSPENSION MFS-20-133A 20,000# FL1 71.0 INCH KPI/3.74 INCH DROP SINGLE FRONT AXLE 9,500# LEFT, 10,500# RIGHT MIXER/PLOW FLAT LEAF FRONT SUSPENSION (20,000#)	114 INCH BBC FLAT ROOF ALUMINUM CONVENTIONAL CAB 5325MM (210 INCH) WHEELBASE 1/2X3.64X11-7/8 INCH STEEL FRAME (12.7MMX301.6MM/0.5X11.88 INCH) 120KSI 1600MM (63 INCH) REAR FRAME OVERHANG PARTIAL INNER FRAME REINFORCEMENT AT FRONT SUSPENSION BODY COMPANY INSTALLED ADDITIONAL FRONT FRAME REINFORCEMENT FOR SNOW PLOW

			PER UNIT		TOTAL
VEHICLE PRICE	TOTAL # OF UNITS (1)	\$	118,716	\$	118,716
EXTENDED WARRANTY		\$	0	\$	0
DEALER INSTALLED OPTIONS		\$	0	\$	0
CUSTOMER PRICE BEFORE TAX		\$	118,716	\$	118,716

TAXES AND FEES					
FEDERAL EXCISE TAX (FET)		\$	(416.0)	\$	(416.0)
TAXES AND FEES		\$	0	\$	0
OTHER CHARGES		\$	0	\$	0

TRADE-IN					
TRADE-IN ALLOWANCE		\$	(42,000)	\$	(42,000)
BALANCE DUE	(LOCAL CURRENCY)	\$	76,300	\$	76,300

TRADE: 2008 INTERNATIONAL 7600 1HTWYSBT08J045289
 SIDE DUMP, WING, PLOW - \$42,000.00

Projected delivery on ___ / ___ / ___ provided the order is received before ___ / ___ / ___.

APPROVAL:

Please indicate your acceptance of this quotation by signing below:

Customer: X _____ Date: ___ / ___ / ___.



See your local dealer for a competitive quote from Daimler Truck Financial, or contact us at Information@dtffoffers.com.

Daimler Truck Financial offers a variety of finance, lease and insurance solutions to fit your business needs. For more information about our products and services, visit our website at www.daimler-truckfinancial.com.



Prepared for:
 MIKE GARAND
 TOWN OF EAST MONTPELIER
 40 KELTON ROAD
 PO BOX 157
 EAST MONTPELIER, VT 05651
 Phone: 802-223-5870

S P E C I F I C A T I O N P R O P O S A L

Data Code	Description	Weight Front	Weight Rear
Price Level			
PRL-14D	SD PRL-14D (EFF:10/05/15)		
Data Version			
DRL-013	SPECPRO21 DATA RELEASE VER 013		
Interior Convenience/Driver Retention Package			
N	055-004 INTERIOR CONVENIENCE PACKAGE WITH CB PROVISION		
Vehicle Configuration			
001-177	114SD CONVENTIONAL CHASSIS	7,934	6,576
004-217	2017 MODEL YEAR SPECIFIED		
002-003	SET FORWARD AXLE - TRUCK		
019-001	TRAILER TOWING PROVISION AT END OF FRAME FOR TRUCK	10	10
003-001	LH PRIMARY STEERING LOCATION		
General Service			
AA1-003	TRUCK/TRAILER CONFIGURATION		
AA6-001	DOMICILED, USA 50 STATES (INCLUDING CALIFORNIA AND CARB OPT-IN STATES)		
A85-011	CONSTRUCTION SERVICE		
A84-1GM	GOVERNMENT BUSINESS SEGMENT		
AA4-010	DIRT/SAND/ROCK COMMODITY		
AA5-002	TERRAIN/DUTY: 100% (ALL) OF THE TIME, IN TRANSIT, IS SPENT ON PAVED ROADS		
AB1-008	MAXIMUM 8% EXPECTED GRADE		
AB5-001	SMOOTH CONCRETE OR ASPHALT PAVEMENT - MOST SEVERE IN-TRANSIT (BETWEEN SITES) ROAD SURFACE		
995-1AE	FREIGHTLINER LEVEL II WARRANTY		
A66-99D	EXPECTED FRONT AXLE(S) LOAD : 20000.0 lbs		
A68-99D	EXPECTED REAR DRIVE AXLE(S) LOAD : 46000.0 lbs		



Prepared for:
 MIKE GARAND
 TOWN OF EAST MONTPELIER
 40 KELTON ROAD
 PO BOX 157
 EAST MONTPELIER, VT 05651
 Phone: 802-223-5870

Data Code	Description	Weight Front	Weight Rear
A63-99D	EXPECTED GROSS VEHICLE WEIGHT CAPACITY : 66000.0 lbs		
A70-99D	EXPECTED GROSS COMBINATION WEIGHT : 80000.0 lbs		
Truck Service			
AA3-018	FRONT PLOW/END DUMP BODY		
Tractor Service			
AA2-005	FLATBED TRAILER		
AH6-001	SINGLE (1) TRAILER		
Engine			
* 101-2XY	DETROIT DD13 12.8L 505 HP @ 1625 RPM, 1900 GOV RPM, 1850 LB/FT @ 975 RPM		
Electronic Parameters			
79A-072	72 MPH ROAD SPEED LIMIT		
79B-000	CRUISE CONTROL SPEED LIMIT SAME AS ROAD SPEED LIMIT		
79K-005	PTO MODE ENGINE RPM LIMIT - 900 RPM		
79P-004	PTO RPM WITH CRUISE SET SWITCH - 900 RPM		
79Q-004	PTO RPM WITH CRUISE RESUME SWITCH - 900 RPM		
79S-001	PTO MODE CANCEL VEHICLE SPEED - 5 MPH		
79U-007	PTO GOVERNOR RAMP RATE - 250 RPM PER SECOND		
79W-001	ONE REMOTE PTO SPEED		
80C-001	ENGINE BRAKE WITH CRUISE CONTROL ENABLED AT 2 MPH ABOVE SET SPEED, 2 MPH INCREMENT BETWEEN BRAKING LEVELS		
80G-002	PTO MINIMUM RPM - 700		
N 80J-002	REGEN INHIBIT SPEED THRESHOLD - 5 MPH		
Engine Equipment			
99C-017	2016 ONBOARD DIAGNOSTICS/2010 EPA/CARB/GHG17		
99D-011	2008 CARB EMISSION CERTIFICATION - CLEAN IDLE (INCLUDES 6X4 INCH LABEL ON LOWER FORWARD CORNER OF DRIVER DOOR)		
PMT-998	NO 2013 ENGINE ESCALATOR		
13E-001	STANDARD OIL PAN		
105-001	ENGINE MOUNTED OIL CHECK AND FILL		



Prepared for:
 MIKE GARAND
 TOWN OF EAST MONTPELIER
 40 KELTON ROAD
 PO BOX 157
 EAST MONTPELIER, VT 05651
 Phone: 802-223-5870

Data Code	Description	Weight Front	Weight Rear
014-108	SIDE OF HOOD AIR INTAKE WITH FIREWALL MOUNTED DONALDSON AIR CLEANER WITH SAFETY ELEMENT AND INSIDE/OUTSIDE AIR WITH SNOW DOOR	10	
124-1D7	DR 12V 160 AMP 28-SI QUADRAMOUNT PAD ALTERNATOR WITH REMOTE BATTERY VOLT SENSE		
292-071	(3) ALLIANCE MODEL 1231, GROUP 31, 12 VOLT MAINTENANCE FREE 3375 CCA THREADED STUD BATTERIES		
290-017	BATTERY BOX FRAME MOUNTED		
281-001	STANDARD BATTERY JUMPERS		
282-001	SINGLE BATTERY BOX FRAME MOUNTED LH SIDE UNDER CAB		
291-017	WIRE GROUND RETURN FOR BATTERY CABLES WITH ADDITIONAL FRAME GROUND RETURN		
289-001	NON-POLISHED BATTERY BOX COVER		
293-058	POSITIVE LOAD DISCONNECT WITH CAB MOUNTED CONTROL SWITCH MOUNTED OUTBOARD DRIVER SEAT	8	
107-044	BW MODEL BA-921 19.0 CFM SINGLE CYLINDER AIR COMPRESSOR WITH SAFETY VALVE		
152-041	ELECTRONIC ENGINE INTEGRAL SHUTDOWN PROTECTION SYSTEM		
128-002	JACOBS COMPRESSION BRAKE		
016-1C2	RH OUTBOARD UNDER STEP MOUNTED HORIZONTAL AFTERTREATMENT SYSTEM ASSEMBLY WITH RH B-PILLAR MOUNTED VERTICAL TAILPIPE	30	25
28F-007	ENGINE AFTERTREATMENT DEVICE, AUTOMATIC OVER THE ROAD ACTIVE REGENERATION AND DASH MOUNTED SINGLE REGENERATION REQUEST/INHIBIT SWITCH		
239-026	10 FOOT 06 INCH (126 INCH+0/-5.9 INCH) EXHAUST SYSTEM HEIGHT		
237-1CR	RH CURVED VERTICAL TAILPIPE B-PILLAR MOUNTED ROUTED FROM STEP		
23U-002	13 GALLON DIESEL EXHAUST FLUID TANK		
30N-003	100 PERCENT DIESEL EXHAUST FLUID FILL		
23Y-001	STANDARD DIESEL EXHAUST FLUID PUMP MOUNTING		
23Z-002	NON-POLISHED ALUMINUM DIESEL EXHAUST FLUID TANK COVER	15	5
43X-002	LH MEDIUM DUTY STANDARD DIESEL EXHAUST FLUID TANK LOCATION		
43Y-001	STANDARD DIESEL EXHAUST FLUID TANK CAP		



Prepared for:
 MIKE GARAND
 TOWN OF EAST MONTPELIER
 40 KELTON ROAD
 PO BOX 157
 EAST MONTPELIER, VT 05651
 Phone: 802-223-5870

Data Code	Description	Weight Front	Weight Rear
242-011	ALUMINUM AFTERTREATMENT DEVICE/MUFFLER/TAILPIPE SHIELD(S)		
273-036	BORG WARNER (KYSOR) REAR AIR ON/OFF ENGINE FAN CLUTCH		
276-002	AUTOMATIC FAN CONTROL WITH DASH SWITCH AND INDICATOR LIGHT, NON ENGINE MOUNTED		
110-068	DDC SUPPLIED ENGINE MOUNTED FUEL FILTER/FUEL WATER SEPARATOR WITH WATER-IN-FUEL INDICATOR		
118-001	FULL FLOW OIL FILTER		
266-057	1500 SQUARE INCH ALUMINUM RADIATOR		
103-039	ANTIFREEZE TO -34F, OAT (NITRITE AND SILICATE FREE) EXTENDED LIFE COOLANT		
171-007	GATES BLUE STRIPE COOLANT HOSES OR EQUIVALENT		
172-001	CONSTANT TENSION HOSE CLAMPS FOR COOLANT HOSES		
270-023	HDEP FIXED RATIO COOLANT PUMP AND RADIATOR DRAIN VALVE		
168-002	LOWER RADIATOR GUARD	6	
360-013	1350 ADAPTER FLANGE FOR FRONT PTO PROVISION	25	
138-005	PHILLIPS-TEMRO 1500 WATT/115 VOLT BLOCK HEATER	4	
140-022	CHROME ENGINE HEATER RECEPTACLE MOUNTED UNDER LH DOOR		
155-074	DELCO 12V MOD 3.175-39MT+ OCP STARTER WITH THERMAL PROTECTION AND INTEGRATED MAGNETIC SWITCH		

Transmission

342-1M3	ALLISON 4500 RDS AUTOMATIC TRANSMISSION WITH PTO PROVISION	260	100
---------	--	-----	-----

Transmission Equipment

343-339	ALLISON VOCATIONAL PACKAGE 223 - AVAILABLE ON 3000/4000 PRODUCT FAMILIES WITH VOCATIONAL MODELS RDS, HS, MH AND TRV		
84B-012	ALLISON VOCATIONAL RATING FOR ON/OFF HIGHWAY APPLICATIONS AVAILABLE WITH ALL PRODUCT FAMILIES		
84C-023	PRIMARY MODE GEARS, LOWEST GEAR 1, START GEAR 1, HIGHEST GEAR 6, AVAILABLE FOR 3000/4000 PRODUCT FAMILIES ONLY		



Prepared for:
 MIKE GARAND
 TOWN OF EAST MONTPELIER
 40 KELTON ROAD
 PO BOX 157
 EAST MONTPELIER, VT 05651
 Phone: 802-223-5870

Data Code	Description	Weight Front	Weight Rear
84D-023	SECONDARY MODE GEARS, LOWEST GEAR 1, START GEAR 1, HIGHEST GEAR 6, AVAILABLE FOR 3000/4000 PRODUCT FAMILIES ONLY		
84U-000	DRIVER SWITCH INPUT - DEFAULT - NO SWITCHES		
85E-998	MAXIMUM ENGINE SPEED FOR PTO ENGAGEMENT 2600 RPM - ALLISON 5TH GEN TRANSMISSIONS		
85F-998	TCU-MAX PTO ENGINE SPEED OPERATION NOT CONFIGURED		
85G-998	TCU-MAX PTO O/P SPD ENG NOT CONFIGURE		
85H-998	TCU-MAXIMUM PTO OUTPUT SPEED OPERATION NOT CONFIGURED		
353-022	VEHICLE INTERFACE WIRING CONNECTOR WITHOUT BLUNT CUTS, AT BACK OF CAB		
341-018	MAGNETIC PLUGS, ENGINE DRAIN, TRANSMISSION DRAIN, AXLE(S) FILL AND DRAIN		
345-003	PUSH BUTTON ELECTRONIC SHIFT CONTROL, DASH MOUNTED		
97G-004	TRANSMISSION PROGNOSTICS - ENABLED 2013		
370-011	WATER TO OIL TRANSMISSION COOLER, FRAME MOUNTED		
346-003	TRANSMISSION OIL CHECK AND FILL WITH ELECTRONIC OIL LEVEL CHECK		
35T-001	SYNTHETIC TRANSMISSION FLUID (TES-295 COMPLIANT)		

Front Axle and Equipment

400-1AC	MFS-20-133A 20,000# FL1 71.0 INCH KPI/3.74 INCH DROP SINGLE FRONT AXLE	260	
402-030	MERITOR 16.5X6 Q+ CAST SPIDER CAM FRONT BRAKES, DOUBLE ANCHOR, FABRICATED SHOES	10	
403-002	NON-ASBESTOS FRONT BRAKE LINING		
419-023	CONMET CAST IRON FRONT BRAKE DRUMS		
427-001	FRONT BRAKE DUST SHIELDS	5	
409-021	SKF SCOTSEAL PLUS XL FRONT OIL SEALS		
408-001	VENTED FRONT HUB CAPS WITH WINDOW, CENTER AND SIDE PLUGS - OIL		
416-022	STANDARD SPINDLE NUTS FOR ALL AXLES		
405-002	MERITOR AUTOMATIC FRONT SLACK ADJUSTERS		
406-001	STANDARD KING PIN BUSHINGS		



Prepared for:
 MIKE GARAND
 TOWN OF EAST MONTPELIER
 40 KELTON ROAD
 PO BOX 157
 EAST MONTPELIER, VT 05651
 Phone: 802-223-5870

	Data Code	Description	Weight Front	Weight Rear
	536-055	TRW THP-60 POWER STEERING WITH RCH45 AUXILIARY GEAR	130	
	539-003	POWER STEERING PUMP		
	534-003	4 QUART POWER STEERING RESERVOIR	5	
	533-001	OIL/AIR POWER STEERING COOLER	5	
	40T-001	ORGANIC SAE 80/90 FRONT AXLE LUBE		
Front Suspension				
N	620-043	9,500# LEFT, 10,500# RIGHT MIXER/PLOW FLAT LEAF FRONT SUSPENSION (20,000#)	330	
	619-004	GRAPHITE BRONZE BUSHINGS WITH SEALS - FRONT SUSPENSION		
	410-001	FRONT SHOCK ABSORBERS		
Rear Axle and Equipment				
	420-103	RT-46-160 46,000# R-SERIES TANDEM REAR AXLE		420
	421-456	4.56 REAR AXLE RATIO		
	424-001	IRON REAR AXLE CARRIER WITH STANDARD AXLE HOUSING		
	386-075	MXL 18T MERITOR EXTENDED LUBE MAIN DRIVELINE WITH HALF ROUND YOKES	60	60
	388-073	MXL 17T MERITOR EXTENDED LUBE INTERAXLE DRIVELINE WITH HALF ROUND YOKES		
	452-006	DRIVER CONTROLLED TRACTION DIFFERENTIAL - BOTH TANDEM REAR AXLES		40
	878-023	(1) INTERAXLE LOCK VALVE, (1) DRIVER CONTROLLED DIFFERENTIAL LOCK FORWARD-REAR AND REAR-REAR AXLE VALVE		
	87A-001	BLINKING LAMP WITH EACH MODE SWITCH, INTERAXLE UNLOCK DEFAULT WITH IGNITION OFF		
	87B-004	BLINKING LAMP WITH EACH MODE SWITCH, DIFFERENTIAL UNLOCK WITH IGNITION OFF, ACTIVE <5 MPH		
	423-020	MERITOR 16.5X7 Q+ CAST SPIDER CAM REAR BRAKES, DOUBLE ANCHOR, FABRICATED SHOES		
	433-002	NON-ASBESTOS REAR BRAKE LINING		
	434-011	BRAKE CAMS AND CHAMBERS ON FORWARD SIDE OF DRIVE AXLE(S)		
	451-023	CONMET CAST IRON REAR BRAKE DRUMS		
	425-002	REAR BRAKE DUST SHIELDS		10
	440-021	SKF SCOTSEAL PLUS XL REAR OIL SEALS		



Prepared for:
 MIKE GARAND
 TOWN OF EAST MONTPELIER
 40 KELTON ROAD
 PO BOX 157
 EAST MONTPELIER, VT 05651
 Phone: 802-223-5870

Data Code	Description	Weight Front	Weight Rear
426-075	HALDEX GOLDSEAL LONGSTROKE 2-DRIVE AXLES SPRING PARKING CHAMBERS		
428-003	HALDEX AUTOMATIC REAR SLACK ADJUSTERS		
41T-001	ORGANIC SAE 80/90 REAR AXLE LUBE		
Rear Suspension			
622-286	TUFTRAC 46,000# REAR SPRING SUSPENSION		520
621-055	TUFTRAC STANDARD RIDE HEIGHT		
431-003	AXLE CLAMPING GROUP		
624-028	56 INCH AXLE SPACING		
623-006	FORE/AFT AND TRANSVERSE CONTROL RODS		
439-002	REAR SHOCK ABSORBERS - TWO AXLES (TANDEM)		40
Brake System			
490-100	WABCO 4S/4M ABS WITHOUT TRACTION CONTROL		
871-001	REINFORCED NYLON, FABRIC BRAID AND WIRE BRAID CHASSIS AIR LINES		
904-001	FIBER BRAID PARKING BRAKE HOSE		
412-001	STANDARD BRAKE SYSTEM VALVES		
46D-002	STANDARD AIR SYSTEM PRESSURE PROTECTION SYSTEM		
413-002	STD U.S. FRONT BRAKE VALVE		
432-003	RELAY VALVE WITH 5-8 PSI CRACK PRESSURE, NO REAR PROPORTIONING VALVE		
480-083	WABCO SS-1200 PLUS AIR DRYER WITH INTEGRAL AIR GOVERNOR AND HEATER		
483-004	WABCO OIL COALESCING FILTER FOR AIR DRYER		
479-005	AIR DRYER MOUNTED INBOARD ON RH RAIL		
460-007	ALUMINUM AIR BRAKE RESERVOIRS	-15	-15
607-001	CLEAR FRAME RAILS FROM BACK OF CAB TO FRONT REAR SUSPENSION BRACKET, BOTH RAILS OUTBOARD		
477-001	PULL CABLE ON WET TANK, PETCOCK DRAIN VALVES ON ALL OTHER AIR TANKS		
Trailer Connections			
914-001	AIR CONNECTIONS TO END OF FRAME WITH GLAD HANDS FOR TRUCK AND NO DUST COVERS		
296-010	PRIMARY CONNECTOR/RECEPTACLE WIRED FOR SEPARATE STOP/TURN, ABS CENTER PIN POWERED THROUGH IGNITION		



Prepared for:
 MIKE GARAND
 TOWN OF EAST MONTPELIER
 40 KELTON ROAD
 PO BOX 157
 EAST MONTPELIER, VT 05651
 Phone: 802-223-5870

Data Code	Description	Weight Front	Weight Rear
297-001	SAE J560 7-WAY PRIMARY TRAILER CABLE RECEPTACLE MOUNTED END OF FRAME		
335-004	UPGRADED CHASSIS MULTIPLEXING UNIT		
Wheelbase & Frame			
545-532	5325MM (210 INCH) WHEELBASE		
546-1B2	1/2X3.64X11-7/8 INCH STEEL FRAME (12.7MMX301.6MM/0.5X11.88 INCH) 120KSI	390	230
547-034	PARTIAL INNER FRAME REINFORCEMENT AT FRONT SUSPENSION	180	
548-803	BODY COMPANY INSTALLED ADDITIONAL FRONT FRAME REINFORCEMENT FOR SNOW PLOW		
552-030	1600MM (63 INCH) REAR FRAME OVERHANG		
55W-006	FRAME OVERHANG RANGE: 61 INCH TO 70 INCH		
549-002	24 INCH INTEGRAL FRONT FRAME EXTENSION	115	-20
AC8-99D	CALC'D BACK OF CAB TO REAR SUSP C/L (CA) : 126.54 in		
AE8-99D	CALCULATED EFFECTIVE BACK OF CAB TO REAR SUSPENSION C/L (CA) : 123.54 in		
AE4-99D	CALC'D FRAME LENGTH - OVERALL : 324.69		
AM6-99D	CALC'D SPACE AVAILABLE FOR DECKPLATE : 126.54 in		
FSS-0LH	CALCULATED FRAME SPACE LH SIDE : 85.87 in		
FSS-0RH	CALCULATED FRAME SPACE RH SIDE : 93.08 in		
553-001	SQUARE END OF FRAME		
550-001	FRONT CLOSING CROSSMEMBER		
559-001	STANDARD WEIGHT ENGINE CROSSMEMBER		
562-001	STANDARD MIDSHIP #1 CROSSMEMBER(S)		
572-001	STANDARD REARMOST CROSSMEMBER		
565-002	HEAVY DUTY SUSPENSION CROSSMEMBER		
Chassis Equipment			
556-1AG	16.5 INCH PAINTED STEEL STRAIGHT BUMPER		
574-001	BUMPER MOUNTING FOR SINGLE LICENSE PLATE		
551-007	GRADE 8 THREADED HEX HEADED FRAME FASTENERS		
Fuel Tanks			
204-219	70 GALLON/264 LITER RECTANGULAR ALUMINUM FUEL TANK - LH	15	5
218-005	RECTANGULAR FUEL TANK(S)		



Prepared for:
 MIKE GARAND
 TOWN OF EAST MONTPELIER
 40 KELTON ROAD
 PO BOX 157
 EAST MONTPELIER, VT 05651
 Phone: 802-223-5870

	Data Code	Description	Weight Front	Weight Rear
	215-005	PLAIN ALUMINUM/PAINTED STEEL FUEL/HYDRAULIC TANK(S) WITH PAINTED BANDS		
N	212-007	FUEL TANK(S) FORWARD		
	664-001	PLAIN STEP FINISH		
	205-001	FUEL TANK CAP(S)		
	216-020	EQUIFLO INBOARD FUEL SYSTEM		
	202-016	HIGH TEMPERATURE REINFORCED NYLON FUEL LINE		
Tires				
	093-2CC	MICHELIN XZU-S2 315/80R22.5 20 PLY RADIAL FRONT TIRES	100	
	094-0E3	MICHELIN XDS 12R22.5 16 PLY RADIAL REAR TIRES		312
Hubs				
	418-056	CONMET PRESET PLUS IRON FRONT HUBS		
	450-056	CONMET PRESET PLUS IRON REAR HUBS		
Wheels				
	502-1M3	ALCOA 89465X 22.5X9.00 10-HUB PILOT 5.96 INSET ALUMINUM DISC FRONT WHEELS	-24	
	505-1M3	ALCOA 89465X 22.5X9.00 10-HUB PILOT 5.96 INSET ALUMINUM DISC REAR WHEELS		-96
	498-011	NYLON WHEEL GUARDS FRONT AND REAR ALL INTERFACES		
Cab Exterior				
	829-1A2	114 INCH BBC FLAT ROOF ALUMINUM CONVENTIONAL CAB		
	650-008	AIR CAB MOUNTS		
	648-002	NONREMOVABLE BUGSCREEN MOUNTED BEHIND GRILLE		
	754-002	3-1/2 INCH FENDER EXTENSIONS	15	
	678-001	LH AND RH GRAB HANDLES		
	645-002	BRIGHT FINISH RADIATOR SHELL/HOOD BEZEL		
	646-042	STATIONARY BLACK GRILLE WITH BRIGHT ACCENTS		
	65X-003	CHROME HOOD MOUNTED AIR INTAKE GRILLE		
	644-006	FIBERGLASS HOOD WITH ACCESS HATCHES	10	
	690-002	TUNNEL/FIREWALL LINER		
	727-066	DUAL 26 INCH RECTANGULAR POLISHED ALUMINUM AIR HORNS ROOF MOUNTED	4	
	726-002	DUAL ELECTRIC HORNS		



Prepared for:
 MIKE GARAND
 TOWN OF EAST MONTPELIER
 40 KELTON ROAD
 PO BOX 157
 EAST MONTPELIER, VT 05651
 Phone: 802-223-5870

Data Code	Description	Weight Front	Weight Rear
728-002	DUAL HORN SHIELDS		
657-1A0	ALL UNIT(S) KEYED ALIKE WITH CUSTOMER SPECIFIED KEY NUMBER FT1013		
575-001	REAR LICENSE PLATE MOUNT END OF FRAME		
312-067	HALOGEN COMPOSITE HEADLAMPS WITH BRIGHT BEZELS		
302-047	LED AERODYNAMIC MARKER LIGHTS		
311-012	DAYTIME RUNNING LIGHTS - LOW BEAM ONLY		
294-001	INTEGRAL STOP/TAIL/BACKUP LIGHTS		
300-015	STANDARD FRONT TURN SIGNAL LAMPS		
744-1BC	DUAL WEST COAST BRIGHT FINISH HEATED MIRRORS WITH LH AND RH REMOTE		
797-001	DOOR MOUNTED MIRRORS		
796-001	102 INCH EQUIPMENT WIDTH		
743-204	LH AND RH 8 INCH BRIGHT FINISH CONVEX MIRRORS MOUNTED UNDER PRIMARY MIRRORS		
74B-080	RH AND LH 8 INCH STAINLESS STEEL FENDER MOUNTED CONVEX MIRRORS WITH TRIPOD BRACKETS	8	
729-001	STANDARD SIDE/REAR REFLECTORS		
677-054	RH AFTERTREATMENT SYSTEM CAB ACCESS WITH PLAIN DIAMOND PLATE COVER		
764-010	COMPOSITE EXTERIOR SUN VISOR	10	
768-043	63X14 INCH TINTED REAR WINDOW		
661-004	TINTED DOOR GLASS LH AND RH WITH TINTED OPERATING WING WINDOWS		
654-027	RH AND LH ELECTRIC POWERED WINDOWS, PASSENGER SWITCHES ON DOOR(S)	8	
663-029	1-PIECE TINTED CURVED BONDED WINDSHIELD WITH HEATED WIPER BLADE PARK AREAS		
659-007	8 LITER WINDSHIELD WASHER RESERVOIR, CAB MOUNTED, WITHOUT FLUID LEVEL INDICATOR		

Cab Interior

707-1AK	OPAL GRAY VINYL INTERIOR		
706-026	MOLDED PLASTIC DOOR PANEL WITHOUT VINYL INSERT WITH ALUMINUM KICKPLATE LOWER DOOR		
708-026	MOLDED PLASTIC DOOR PANEL WITHOUT VINYL INSERT WITH ALUMINUM KICKPLATE LOWER DOOR		
772-006	BLACK MATS WITH SINGLE INSULATION		



Prepared for:
 MIKE GARAND
 TOWN OF EAST MONTPELIER
 40 KELTON ROAD
 PO BOX 157
 EAST MONTPELIER, VT 05651
 Phone: 802-223-5870

Data Code	Description	Weight Front	Weight Rear
785-001	DASH MOUNTED ASH TRAYS AND LIGHTER		
696-012	CENTER STORAGE CONSOLE MOUNTED ON BACKWALL	20	
742-007	(2) CUP HOLDERS LH AND RH DASH		
680-007	GRAY/CHARCOAL WING DASH		
860-004	SMART SWITCH EXPANSION MODULE		
720-003	5 LB. FIRE EXTINGUISHER	10	
700-002	HEATER, DEFROSTER AND AIR CONDITIONER		
701-008	STANDARD HVAC DUCTING WITH SNOW SHIELD FOR FRESH AIR INTAKE		
703-005	MAIN HVAC CONTROLS WITH RECIRCULATION SWITCH		
170-015	STANDARD HEATER PLUMBING		
130-033	DENSO HEAVY DUTY AIR CONDITIONER COMPRESSOR		
702-002	BINARY CONTROL, R-134A		
739-034	PREMIUM INSULATION		
285-013	SOLID-STATE CIRCUIT PROTECTION AND FUSES		
280-007	12V NEGATIVE GROUND ELECTRICAL SYSTEM		
324-011	DOME DOOR ACTIVATED LH AND RH, DUAL READING LIGHTS, FORWARD CAB ROOF		
655-005	LH AND RH ELECTRIC DOOR LOCKS		
284-023	(1) 12 VOLT POWER SUPPLY IN DASH		
722-028	TRIANGULAR REFLECTORS KIT WITHOUT FLARES SHIPPED LOOSE IN CAB	10	
756-1D9	PREMIUM HIGH BACK AIR SUSPENSION DRIVER SEAT WITH 3 CHAMBER AIR LUMBAR, INTEGRATED CUSHION EXTENSION, FORWARD AND REAR CUSHION TILT, ADJUSTABLE SHOCK ABSORBER	70	
760-1DC	BASIC HIGH BACK NON SUSPENSION PASSENGER SEAT		
759-007	DUAL DRIVER SEAT ARMRESTS, NO PASSENGER SEAT ARMRESTS	4	
711-004	LH AND RH INTEGRAL DOOR PANEL ARMRESTS		
758-014	BLACK CORDURA PLUS CLOTH DRIVER SEAT COVER		
761-014	BLACK CORDURA PLUS CLOTH PASSENGER SEAT COVER		
763-032	3 POINT FIXED D-RING RETRACTOR DRIVER AND PASSENGER SEAT BELTS		
532-002	ADJUSTABLE TILT AND TELESCOPING STEERING COLUMN	10	



Prepared for:
 MIKE GARAND
 TOWN OF EAST MONTPELIER
 40 KELTON ROAD
 PO BOX 157
 EAST MONTPELIER, VT 05651
 Phone: 802-223-5870

Data Code	Description	Weight Front	Weight Rear
540-015	4-SPOKE 18 INCH (450MM) STEERING WHEEL		
765-002	DRIVER AND PASSENGER INTERIOR SUN VISORS		
Instruments & Controls			
732-003	WOODGRAIN DRIVER INSTRUMENT PANEL		
734-003	WOODGRAIN CENTER INSTRUMENT PANEL		
870-001	BLACK GAUGE BEZELS		
486-001	LOW AIR PRESSURE INDICATOR LIGHT AND AUDIBLE ALARM		
840-002	2 INCH PRIMARY AND SECONDARY AIR PRESSURE GAUGES		
198-003	DASH MOUNTED AIR RESTRICTION INDICATOR WITH GRADUATIONS		
721-001	97 DB BACKUP ALARM		3
149-017	ELECTRONIC CRUISE CONTROL WITH SWITCHES ON AUXILIARY GAUGE PANEL (B DASH PANEL)		
156-007	KEY OPERATED IGNITION SWITCH AND INTEGRAL START POSITION; 4 POSITION OFF/RUN/START/ACCESSORY		
811-042	ICU3S, 132X48 DISPLAY WITH DIAGNOSTICS, 28 LED WARNING LAMPS AND DATA LINKED		
160-038	HEAVY DUTY ONBOARD DIAGNOSTICS INTERFACE CONNECTOR LOCATED BELOW LH DASH		
844-001	2 INCH ELECTRIC FUEL GAUGE		
845-011	FUEL FILTER RESTRICTION INDICATOR		
148-003	PROGRAMMABLE RPM CONTROL - ELECTRONIC ENGINE		
856-001	ELECTRICAL ENGINE COOLANT TEMPERATURE GAUGE		
854-001	ENGINE OIL TEMPERATURE GAUGE		
864-001	2 INCH TRANSMISSION OIL TEMPERATURE GAUGE		
867-019	INSIDE/OUTSIDE TEMPERATURE GAUGE WITH CHROME BEZEL AND LCD FAHRENHEIT DISPLAY		
830-017	ENGINE AND TRIP HOUR METERS INTEGRAL WITHIN DRIVER DISPLAY		
852-002	ELECTRIC ENGINE OIL PRESSURE GAUGE		
679-001	OVERHEAD INSTRUMENT PANEL		
35M-006	SMARTPLEX HUB MODULE WITH OVERHEAD SWITCH MOUNTING, DRIVER SIDE AND CENTER CONSOLE (12 SWITCH SLOTS)	44	



Prepared for:
 MIKE GARAND
 TOWN OF EAST MONTPELIER
 40 KELTON ROAD
 PO BOX 157
 EAST MONTPELIER , VT 05651
 Phone: 802-223-5870

Data Code	Description	Weight Front	Weight Rear
746-1B0	AM/FM/WB RADIO WITH CD PLAYER, BLUETOOTH AND MICROPHONE, USB, FRONT AND REAR AUXILIARY INPUTS AND J1939	10	
747-001	DASH MOUNTED RADIO		
750-002	(2) RADIO SPEAKERS IN CAB		
753-001	AM/FM ANTENNA MOUNTED ON FORWARD LH ROOF	2	
748-006	POWER AND GROUND WIRING PROVISION OVERHEAD		
749-001	ROOF/OVERHEAD CONSOLE CB RADIO PROVISION		
810-027	ELECTRONIC MPH SPEEDOMETER WITH SECONDARY KPH SCALE, WITHOUT ODOMETER		
817-001	STANDARD VEHICLE SPEED SENSOR		
812-001	ELECTRONIC 3000 RPM TACHOMETER		
813-1B4	DETROIT CONNECT VIRTUAL TECHNICIAN CONNECTIVITY PACKAGE (DETROIT ENGINES ONLY)		
81X-001	2 YEARS DETROIT CONNECT VIRTUAL TECHNICIAN REMOTE DIAGNOSTICS SERVICE		
162-002	IGNITION SWITCH CONTROLLED ENGINE STOP		
81Y-001	PRE-TRIP LAMP INSPECTION, ALL OUTPUTS FLASH, WITH SMART SWITCH		
44R-007	7 ON/OFF LATCHING SMARTPLEX SWITCHES		
44S-001	1 ON/OFF MOMENTARY SMARTPLEX SWITCH		
44U-001	1 ON/OFF/ON MOMENTARY SMARTPLEX SWITCH		
44V-003	BODY UP AND GATE OPEN SMARTPLEX INDICATOR LAMPS		
44W-010	0-RED, 1-AMBER, 0-GREEN SMARTPLEX INDICATOR LAMPS		
482-001	BW TRACTOR PROTECTION VALVE		
883-001	TRAILER HAND CONTROL BRAKE VALVE	2	
836-015	DIGITAL VOLTAGE DISPLAY INTEGRAL WITH DRIVER DISPLAY		
660-001	SINGLE ELECTRIC WINDSHIELD WIPER MOTOR WITH DELAY AND ARCTIC TYPE BLADES		
304-038	MARKER LIGHT SWITCH INTEGRAL WITH HEADLIGHT SWITCH AND SINGLE CONNECTOR AND SWITCH FOR CUSTOMER FURNISHED SNOW PLOW LIGHTS, LOW BEAMS OFF WITH HIGH BEAMS		
882-004	TWO VALVE PARKING BRAKE SYSTEM WITH WARNING INDICATOR		



Prepared for:
 MIKE GARAND
 TOWN OF EAST MONTPELIER
 40 KELTON ROAD
 PO BOX 157
 EAST MONTPELIER, VT 05651
 Phone: 802-223-5870

Data Code	Description	Weight Front	Weight Rear
299-013	SELF CANCELING TURN SIGNAL SWITCH WITH DIMMER, WASHER/WIPER AND HAZARD IN HANDLE		
298-039	INTEGRAL ELECTRONIC TURN SIGNAL FLASHER WITH HAZARD LAMPS OVERRIDING STOP LAMPS		

Design

065-000	PAINT: ONE SOLID COLOR		
---------	------------------------	--	--

Color

980-5D8	CAB COLOR A: L0753EB RED ELITE BC		
986-020	BLACK, HIGH SOLIDS POLYURETHANE CHASSIS PAINT		
98K-998	NO FUEL TANK CABINET PAINT		
964-020	STANDARD BLACK BUMPER PAINT		
976-995	SUNVISOR PAINTED SAME AS CAB COLOR A		
963-003	STANDARD E COAT/UNDERCOATING		

Certification / Compliance

996-001	U.S. FMVSS CERTIFICATION, EXCEPT SALES CABS AND GLIDER KITS		
---------	---	--	--

Secondary Factory Options

998-032	CORPORATE PDI CENTER OPTION INSTALLATION/MODIFICATION ONLY		
---------	--	--	--

Sales Programs

NO SALES PROGRAMS HAVE BEEN SELECTED

TOTAL VEHICLE SUMMARY

Weight Summary

	Weight Front	Weight Rear	Total Weight
Factory Weight ⁺	10105 lbs	8225 lbs	18330 lbs
Total Weight ⁺	10105 lbs	8225 lbs	18330 lbs



Prepared for:

MIKE GARAND
TOWN OF EAST MONTPELIER
40 KELTON ROAD
PO BOX 157
EAST MONTPELIER , VT 05651
Phone: 802-223-5870

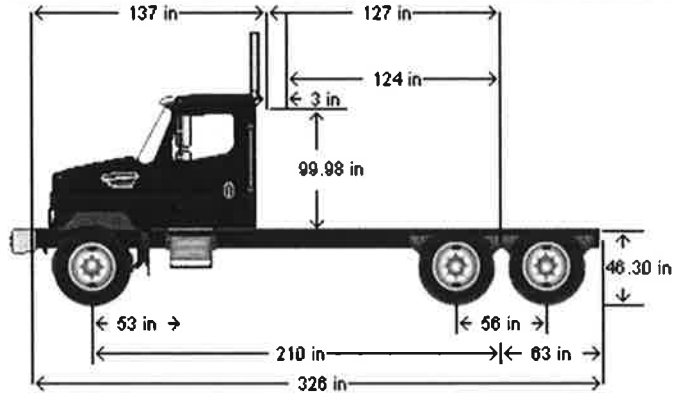
(+) Weights shown are estimates only.

If weight is critical, contact Customer Application Engineering.



Prepared for:
 MIKE GARAND
 TOWN OF EAST MONTPELIER
 40 KELTON ROAD
 PO BOX 157
 EAST MONTPELIER, VT 05651
 Phone: 802-223-5870

D I M E N S I O N S



VEHICLE SPECIFICATIONS SUMMARY - DIMENSIONS

Model.....	114SD
Wheelbase (545).....	5325MM (210 INCH) WHEELBASE
Rear Frame Overhang (552).....	1600MM (63 INCH) REAR FRAME OVERHANG
Fifth Wheel (578).....	NO FIFTH WHEEL
Mounting Location (577).....	NO FIFTH WHEEL LOCATION
Maximum Forward Position (in).....	0
Maximum Rearward Position (in).....	0
Amount of Slide Travel (in).....	0
Slide Increment (in).....	0
Desired Slide Position (in).....	0.0
Cab Size (829).....	114 INCH BBC FLAT ROOF ALUMINUM CONVENTIONAL CAB
Sleeper (682).....	NO SLEEPER BOX/SLEEPER CAB
Exhaust System (016).....	RH OUTBOARD UNDER STEP MOUNTED HORIZONTAL AFTERTREATMENT SYSTEM ASSEMBLY WITH RH B-PILLAR MOUNTED VERTICAL TAILPIPE

TABLE SUMMARY - DIMENSIONS

Prepared for:
 MIKE GARAND
 TOWN OF EAST MONTPELIER
 40 KELTON ROAD
 PO BOX 157
 EAST MONTPELIER, VT 05651
 Phone: 802-223-5870

Dimensions	Inches
Bumper to Back of Cab (BBC)	137.0
Bumper to Centerline of Front Axle (BA)	53.5
Min. Cab to Body Clearance (CB)	3.0
Back of Cab to Centerline of Rear Axle(s) (CA)	126.5
Effective Back of Cab to Centerline of Rear Axle(s) (Effective CA)	123.5
Back of Cab Protrusions (Exhaust/Intake) (CP)	1.5
Back of Cab Protrusions (Side Extenders/Trim Tab) (CP)	0.0
Back of Cab Protrusions (CNG Tank)	0.0
Back of Cab Clearance (CL)	3.0
Back of Cab to End of Frame	189.5
Cab Height (CH)	100.0
Wheelbase (WB)	210.0
Frame Overhang (OH)	63.0
Overall Length (OAL)	326.5
Rear Axle Spacing	56.0
Unladen Frame Height at Centerline of Rear Axle	46.3

Performance calculations are estimates only. If performance calculations are critical, please contact Customer Application Engineering.



Prepared for:
 MIKE GARAND
 TOWN OF EAST MONTPELIER
 40 KELTON ROAD
 PO BOX 157
 EAST MONTPELIER, VT 05651
 Phone: 802-223-5870

G V W R

VEHICLE SPECIFICATIONS SUMMARY - GVWR

Model.....	114SD
Cab Size (829)	114 INCH BBC FLAT ROOF ALUMINUM CONVENTIONAL CAB
Expected Front Axle(s) Load (lbs).....	20000.0
Expected Pusher Axle(s) Load (lbs).....	0.0
Expected Rear Axle(s) Load (lbs).....	46000.0
Expected Tag Axle(s) Load (lbs).....	0.0
Expected GVW (lbs)	66000
Expected GCW (lbs).....	80000.0
Front Axle (400)	MFS-20-133A 20,000# FL1 71.0 INCH KPI/3.74 INCH DROP SINGLE FRONT AXLE
Front Suspension (620).....	9,500# LEFT, 10,500# RIGHT MIXER/PLOW FLAT LEAF FRONT SUSPENSION (20,000#)
Front Hubs (418).....	CONMET PRESET PLUS IRON FRONT HUBS
Front Disc Wheels (502).....	ALCOA 89465X 22.5X9.00 10-HUB PILOT 5.96 INSET ALUMINUM DISC FRONT WHEELS
Front Tires (093).....	MICHELIN XZU-S2 315/80R22.5 20 PLY RADIAL FRONT TIRES
Front Brakes (402).....	MERITOR 16.5X6 Q+ CAST SPIDER CAM FRONT BRAKES, DOUBLE ANCHOR, FABRICATED SHOES
Steering Gear (536).....	TRW THP-60 POWER STEERING WITH RCH45 AUXILIARY GEAR
Rear Axle (420).....	RT-46-160 46,000# R-SERIES TANDEM REAR AXLE
Rear Suspension (622).....	TUFTRAC 46,000# REAR SPRING SUSPENSION
Rear Hubs (450).....	CONMET PRESET PLUS IRON REAR HUBS
Rear Disc Wheels (505).....	ALCOA 89465X 22.5X9.00 10-HUB PILOT 5.96 INSET ALUMINUM DISC REAR WHEELS
Rear Tires (094).....	MICHELIN XDS 12R22.5 16 PLY RADIAL REAR TIRES
Rear Brakes (423).....	MERITOR 16.5X7 Q+ CAST SPIDER CAM REAR BRAKES, DOUBLE ANCHOR, FABRICATED SHOES
Pusher / Tag Axle (443).....	NO PUSHER OR TAG AXLE
Pusher / Tag Suspension (626).....	NO PUSHER OR TAG SUSPENSION
Pusher / Tag Hubs (449).....	NO PUSHER OR TAG HUBS
Pusher/Tag Disc Wheels (509).....	NO PUSHER/TAG DISC WHEELS
Pusher / Tag Tires (095).....	NO PUSHER/TAG TIRES
Pusher / Tag Brakes (456).....	NO PUSHER/TAG BRAKES

TABLE SUMMARY - GVWR



Prepared for:
 MIKE GARAND
 TOWN OF EAST MONTPELIER
 40 KELTON ROAD
 PO BOX 157
 EAST MONTPELIER, VT 05651
 Phone: 802-223-5870

	Front	Rear 1	Rear 2
Axle Component Weight Ratings			
Axes	20000	23000	23000
Suspension	20000	23000	23000
Hubs	23000	26000	26000
Brakes	20000	24999	24999
Wheels	20000	40000	40000
Tires	20000	27120	27120
Power Steering	22000	N/A	N/A
GAWR (per axle)	20000	23000	23000
GAWR (per axle system)	20000		46000
Expected Load (per axle system)	20000		46000
Vehicle GVWR Summary			
Calculated GVWR	66000		
Expected GVWR	66000		
All weights displayed in pounds			

Performance calculations are estimates only. If performance calculations are critical, please contact Customer Application Engineering.



