

**Prepared for:**  
MIKE GARAND  
TOWN OF EAST MONTPELIER  
40 KELTON ROAD  
PO BOX 157  
EAST MONTPELIER, VT 05651  
Phone: 802-223-5870

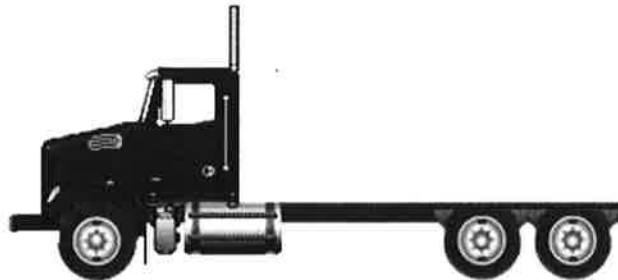
**Prepared by:**  
Sandy Ladd  
R.R. CHARLEBOIS, INC.  
158 QUARRY ROAD  
PLATTSBURGH, NY 12901  
Phone: 802-655-5040

*A proposal for*  
**TOWN OF EAST MONTPELIER**

*Prepared by*  
**R.R. CHARLEBOIS, INC.**  
*Sandy Ladd*

*Jan 27, 2016*

**Western Star 4700SF**



Components shown may not reflect all spec'd options and are not to scale

Prepared for:  
 MIKE GARAND  
 TOWN OF EAST MONTPELIER  
 40 KELTON ROAD  
 PO BOX 157  
 EAST MONTPELIER, VT 05651  
 Phone: 802-223-5870

Prepared by:  
 Sandy Ladd  
 R.R. CHARLEBOIS, INC.  
 158 QUARRY ROAD  
 PLATTSBURGH, NY 12901  
 Phone: 802-655-5040

## Q U O T A T I O N

### 4700 SET-FORWARD FRONT AXLE CHASSIS

SET FORWARD AXLE - TRUCK DETROIT DD13 12.8L 505 HP @ 1625 RPM, 1900 GOV RPM, 1850 LB/FT @ 975 RPM ALLISON 4500 RDS AUTOMATIC TRANSMISSION WITH PTO PROVISION RT-46-160 46,000# R-SERIES TANDEM REAR AXLE TUFTRAC 46,000# REAR SPRING SUSPENSION MFS-20-133A 20,000# FL1 71.0 INCH KPI/3.74 INCH DROP SINGLE FRONT AXLE 9,500# LEFT, 10,500# RIGHT MIXER/PLOW FLAT LEAF FRONT SUSPENSION (20,000#)	110 INCH BBC STEEL CONVENTIONAL CAB 5250MM (207 INCH) WHEELBASE 1/2X3.64X11-7/8 INCH STEEL FRAME (12.7MMX301.6MM/0.5X11.88 INCH) 120KSI 1600MM (63 INCH) REAR FRAME OVERHANG PARTIAL INNER FRAME REINFORCEMENT AT FRONT SUSPENSION BODY COMPANY INSTALLED ADDITIONAL FRONT FRAME REINFORCEMENT FOR SNOW PLOW
---	--

			PER UNIT		TOTAL
VEHICLE PRICE	TOTAL # OF UNITS (1)	\$	124,816	\$	124,816
EXTENDED WARRANTY		\$	0	\$	0
DEALER INSTALLED OPTIONS		\$	0	\$	0
<b>CUSTOMER PRICE BEFORE TAX</b>		<b>\$</b>	<b>124,816</b>	<b>\$</b>	<b>124,816</b>

### TAXES AND FEES

FEDERAL EXCISE TAX (FET)	\$	(416.0)	\$	(416.0)
TAXES AND FEES	\$	0	\$	0
OTHER CHARGES	\$	0	\$	0

### TRADE-IN

<b>TRADE-IN ALLOWANCE</b>	<b>\$</b>	<b>(42,000)</b>	<b>\$</b>	<b>(42,000)</b>
---------------------------	-----------	-----------------	-----------	-----------------

<b>BALANCE DUE</b>	<b>(LOCAL CURRENCY)</b>	<b>\$</b>	<b>82,400</b>	<b>\$</b>	<b>82,400</b>
--------------------	-------------------------	-----------	---------------	-----------	---------------

TRADE: 2008 INTERNATIONAL 7600 1HTWYSBT08J045289  
 SIDE DUMP, WING, PLOW - \$42,000.00

### COMMENTS:

Projected delivery on \_\_\_ / \_\_\_ / \_\_\_ provided the order is received before \_\_\_ / \_\_\_ / \_\_\_.

### APPROVAL:

Please indicate your acceptance of this quotation by signing below:

Customer: X \_\_\_\_\_ Date: \_\_\_ / \_\_\_ / \_\_\_

**Daimler Truck Financial**

Financing that works for you.

See your local dealer for a competitive quote from Daimler Truck Financial, or contact us at [Information@dtffoffers.com](mailto:Information@dtffoffers.com).

Daimler Truck Financial offers a variety of finance, lease and insurance solutions to fit your business needs. For more information about our products and services, visit our website at [www.daimler-truckfinancial.com](http://www.daimler-truckfinancial.com).



Prepared for:  
 MIKE GARAND  
 TOWN OF EAST MONTPELIER  
 40 KELTON ROAD  
 PO BOX 157  
 EAST MONTPELIER, VT 05651  
 Phone: 802-223-5870

Prepared by:  
 Sandy Ladd  
 R.R. CHARLEBOIS, INC.  
 158 QUARRY ROAD  
 PLATTSBURGH, NY 12901  
 Phone: 802-655-5040

## S P E C I F I C A T I O N   P R O P O S A L

Data Code	Description	Weight Front	Weight Rear
<b>Price Level</b>			
PRL-14T	WESTERN STAR 4700 PRL-14T (EFF:10/05/15)		
<b>Data Version</b>			
DRL-013	SPECPRO21 DATA RELEASE VER 013		
<b>Vehicle Configuration</b>			
001-450	4700 SET-FORWARD FRONT AXLE CHASSIS	9,094	6,876
004-217	2017 MODEL YEAR SPECIFIED		
002-003	SET FORWARD AXLE - TRUCK		
019-001	TRAILER TOWING PROVISION AT END OF FRAME FOR TRUCK	10	10
003-001	LH PRIMARY STEERING LOCATION		
<b>General Service</b>			
AA1-003	TRUCK/TRAILER CONFIGURATION		
AA6-001	DOMICILED, USA 50 STATES (INCLUDING CALIFORNIA AND CARB OPT-IN STATES)		
A85-011	CONSTRUCTION SERVICE		
A84-1GM	GOVERNMENT BUSINESS SEGMENT		
AA4-010	DIRT/SAND/ROCK COMMODITY		
AA5-006	TERRAIN/DUTY: 10% (SOME) OF THE TIME, IN TRANSIT, IS SPENT ON NON-PAVED ROADS		
AB1-008	MAXIMUM 8% EXPECTED GRADE		
AB5-003	MAINTAINED GRAVEL OR CRUSHED ROCK - MOST SEVERE IN-TRANSIT (BETWEEN SITES) ROAD SURFACE		
995-1A5	WESTERN STAR VOCATIONAL WARRANTY		
A66-99D	EXPECTED FRONT AXLE(S) LOAD : 20000.0 lbs		
A68-99D	EXPECTED REAR DRIVE AXLE(S) LOAD : 46000.0 lbs		
A63-99D	EXPECTED GROSS VEHICLE WEIGHT CAPACITY : 66000.0 lbs		
A70-99D	EXPECTED GROSS COMBINATION WEIGHT : 80000.0 lbs		



Prepared for:  
 MIKE GARAND  
 TOWN OF EAST MONTPELIER  
 40 KELTON ROAD  
 PO BOX 157  
 EAST MONTPELIER, VT 05651  
 Phone: 802-223-5870

Prepared by:  
 Sandy Ladd  
 R.R. CHARLEBOIS, INC.  
 158 QUARRY ROAD  
 PLATTSBURGH, NY 12901  
 Phone: 802-655-5040

Data Code	Description	Weight Front	Weight Rear
<b>Truck Service</b>			
AA3-018	FRONT PLOW/END DUMP BODY		
<b>Tractor Service</b>			
AA2-005	FLATBED TRAILER		
AH6-001	SINGLE (1) TRAILER		
<b>Engine</b>			
* 101-2XY	DETROIT DD13 12.8L 505 HP @ 1625 RPM, 1900 GOV RPM, 1850 LB/FT @ 975 RPM DETROIT DD13 505HP /1850 TORQUE , PLOW TRUCK APPLICATION		
<b>Electronic Parameters</b>			
79A-072	72 MPH ROAD SPEED LIMIT		
79B-000	CRUISE CONTROL SPEED LIMIT SAME AS ROAD SPEED LIMIT		
79K-005	PTO MODE ENGINE RPM LIMIT - 900 RPM		
79P-004	PTO RPM WITH CRUISE SET SWITCH - 900 RPM		
79Q-004	PTO RPM WITH CRUISE RESUME SWITCH - 900 RPM		
79W-001	ONE REMOTE PTO SPEED		
79X-005	REMOTE PTO SPEED 1 SETTING - 900 RPM		
80C-001	ENGINE BRAKE WITH CRUISE CONTROL ENABLED AT 2 MPH ABOVE SET SPEED, 2 MPH INCREMENT BETWEEN BRAKING LEVELS		
80G-001	PTO MINIMUM RPM - 600		
<b>Engine Equipment</b>			
99C-017	2016 ONBOARD DIAGNOSTICS/2010 EPA/CARB/GHG17		
99D-011	2008 CARB EMISSION CERTIFICATION - CLEAN IDLE (INCLUDES 6X4 INCH LABEL ON LOWER FORWARD CORNER OF DRIVER DOOR)		
PMT-998	NO 2013 ENGINE ESCALATOR		
13E-001	STANDARD OIL PAN		
105-001	ENGINE MOUNTED OIL CHECK AND FILL		
133-004	ONE PIECE VALVE COVER		
014-108	SIDE OF HOOD AIR INTAKE WITH FIREWALL MOUNTED DONALDSON AIR CLEANER WITH SAFETY ELEMENT AND INSIDE/OUTSIDE AIR WITH SNOW DOOR	10	
124-1D7	DR 12V 160 AMP 28-SI QUADRAMOUNT PAD ALTERNATOR WITH REMOTE BATTERY VOLT SENSE		



Prepared for:  
 MIKE GARAND  
 TOWN OF EAST MONTPELIER  
 40 KELTON ROAD  
 PO BOX 157  
 EAST MONTPELIER, VT 05651  
 Phone: 802-223-5870

Prepared by:  
 Sandy Ladd  
 R.R. CHARLEBOIS, INC.  
 158 QUARRY ROAD  
 PLATTSBURGH, NY 12901  
 Phone: 802-655-5040

Data Code	Description	Weight Front	Weight Rear
292-148	(3) ALLIANCE ABSORBED GLASS MAT MODEL 7A31, GROUP 31, 12 VOLT MAINTENANCE FREE 2190 CCA THREADED STUD BATTERIES		
290-1AC	PASSENGER SEAT BATTERY BOX VENTED TO OUTSIDE OF CAB		
282-013	BATTERY BOX MOUNTED UNDER PASSENGER SEAT		
291-017	WIRE GROUND RETURN FOR BATTERY CABLES WITH ADDITIONAL FRAME GROUND RETURN		
289-006	PLASTIC BATTERY BOX COVER		
293-058	POSITIVE LOAD DISCONNECT WITH CAB MOUNTED CONTROL SWITCH MOUNTED OUTBOARD DRIVER SEAT	8	
295-029	POSITIVE AND NEGATIVE POSTS FOR JUMPSTART LOCATED ON FRAME NEXT TO STARTER	2	
107-044	BW MODEL BA-921 19.0 CFM SINGLE CYLINDER AIR COMPRESSOR WITH SAFETY VALVE		
131-013	AIR COMPRESSOR DISCHARGE LINE		
152-041	ELECTRONIC ENGINE INTEGRAL SHUTDOWN PROTECTION SYSTEM		
128-002	JACOBS COMPRESSION BRAKE		
016-1C2	RH OUTBOARD UNDER STEP MOUNTED HORIZONTAL AFTERTREATMENT SYSTEM ASSEMBLY WITH RH B-PILLAR MOUNTED VERTICAL TAILPIPE		
28F-002	ENGINE AFTERTREATMENT DEVICE, AUTOMATIC OVER THE ROAD REGENERATION AND DASH MOUNTED REGENERATION REQUEST SWITCH		
239-038	11 FOOT 06 INCH (138 INCH+0/-5.9 INCH) EXHAUST SYSTEM HEIGHT		
237-1CR	RH CURVED VERTICAL TAILPIPE B-PILLAR MOUNTED ROUTED FROM STEP		
23U-002	13 GALLON DIESEL EXHAUST FLUID TANK	35	10
30N-003	100 PERCENT DIESEL EXHAUST FLUID FILL		
23Y-001	STANDARD DIESEL EXHAUST FLUID PUMP MOUNTING		
43X-002	LH MEDIUM DUTY STANDARD DIESEL EXHAUST FLUID TANK LOCATION		
242-001	STAINLESS STEEL AFTERTREATMENT DEVICE/MUFFLER/TAILOPIPE SHIELD		
273-036	BORG WARNER (KYSOR) REAR AIR ON/OFF ENGINE FAN CLUTCH		



Prepared for:  
 MIKE GARAND  
 TOWN OF EAST MONTPELIER  
 40 KELTON ROAD  
 PO BOX 157  
 EAST MONTPELIER, VT 05651  
 Phone: 802-223-5870

Prepared by:  
 Sandy Ladd  
 R.R. CHARLEBOIS, INC.  
 158 QUARRY ROAD  
 PLATTSBURGH, NY 12901  
 Phone: 802-655-5040

Data Code	Description	Weight Front	Weight Rear
276-002	AUTOMATIC FAN CONTROL WITH DASH SWITCH AND INDICATOR LIGHT, NON ENGINE MOUNTED		
110-068	DDC SUPPLIED ENGINE MOUNTED FUEL FILTER/FUEL WATER SEPARATOR WITH WATER-IN-FUEL INDICATOR		
118-001	FULL FLOW OIL FILTER		
266-057	1500 SQUARE INCH ALUMINUM RADIATOR		
267-006	MOUNTING FOR FIREWALL MOUNTED SURGE TANK		
103-039	ANTIFREEZE TO -34F, OAT (NITRITE AND SILICATE FREE) EXTENDED LIFE COOLANT		
171-007	GATES BLUE STRIPE COOLANT HOSES OR EQUIVALENT		
172-001	CONSTANT TENSION HOSE CLAMPS FOR COOLANT HOSES		
270-023	HDEP FIXED RATIO COOLANT PUMP AND RADIATOR DRAIN VALVE		
360-013	1350 ADAPTER FLANGE FOR FRONT PTO PROVISION	25	
138-005	PHILLIPS-TEMRO 1500 WATT/115 VOLT BLOCK HEATER		
166-005	PHILLIPS-TEMRO 300 WATT/115 VOLT OIL PREHEATER		
140-022	CHROME ENGINE HEATER RECEPTACLE MOUNTED UNDER LH DOOR		
134-001	ALUMINUM FLYWHEEL HOUSING		
155-074	DELCO 12V MOD 3.175-39MT+ OCP STARTER WITH THERMAL PROTECTION AND INTEGRATED MAGNETIC SWITCH		
<b>Transmission</b>			
342-1M3	ALLISON 4500 RDS AUTOMATIC TRANSMISSION WITH PTO PROVISION	170	50
<b>Transmission Equipment</b>			
343-339	ALLISON VOCATIONAL PACKAGE 223 - AVAILABLE ON 3000/4000 PRODUCT FAMILIES WITH VOCATIONAL MODELS RDS, HS, MH AND TRV		
84B-012	ALLISON VOCATIONAL RATING FOR ON/OFF HIGHWAY APPLICATIONS AVAILABLE WITH ALL PRODUCT FAMILIES		
84C-023	PRIMARY MODE GEARS, LOWEST GEAR 1, START GEAR 1, HIGHEST GEAR 6, AVAILABLE FOR 3000/4000 PRODUCT FAMILIES ONLY		



Prepared for:  
 MIKE GARAND  
 TOWN OF EAST MONTPELIER  
 40 KELTON ROAD  
 PO BOX 157  
 EAST MONTPELIER, VT 05651  
 Phone: 802-223-5870

Prepared by:  
 Sandy Ladd  
 R.R. CHARLEBOIS, INC.  
 158 QUARRY ROAD  
 PLATTSBURGH, NY 12901  
 Phone: 802-655-5040

Data Code	Description	Weight Front	Weight Rear
84D-020	SECONDARY MODE GEARS, LOWEST GEAR 1, START GEAR 1, HIGHEST GEAR 3, AVAILABLE FOR 3000/4000 PRODUCT FAMILIES ONLY		
353-060	BODY LIGHTING INTERFACE BLUNT CUT WIRING WITH FUSE PANEL WIRE MOUNTED BETWEEN DRIVER AND PASSENGER SEATS		
34C-010	ELECTRONIC TRANSMISSION CUSTOMER ACCESS CONNECTOR, BLUNT CUT, MOUNTED BETWEEN DRIVER AND PASSENGER SEATS		
341-018	MAGNETIC PLUGS, ENGINE DRAIN, TRANSMISSION DRAIN, AXLE(S) FILL AND DRAIN		
345-003	PUSH BUTTON ELECTRONIC SHIFT CONTROL, DASH MOUNTED		
97G-004	TRANSMISSION PROGNOSTICS - ENABLED 2013		
370-011	WATER TO OIL TRANSMISSION COOLER, FRAME MOUNTED	15	
346-003	TRANSMISSION OIL CHECK AND FILL WITH ELECTRONIC OIL LEVEL CHECK		
35T-001	SYNTHETIC TRANSMISSION FLUID (TES-295 COMPLIANT)		

### Front Axle and Equipment

400-1AC	MFS-20-133A 20,000# FL1 71.0 INCH KPI/3.74 INCH DROP SINGLE FRONT AXLE	60	
402-030	MERITOR 16.5X6 Q+ CAST SPIDER CAM FRONT BRAKES, DOUBLE ANCHOR, FABRICATED SHOES		
403-002	NON-ASBESTOS FRONT BRAKE LINING		
419-023	CONMET CAST IRON FRONT BRAKE DRUMS		
427-001	FRONT BRAKE DUST SHIELDS	5	
409-021	SKF SCOTSEAL PLUS XL FRONT OIL SEALS		
408-001	VENTED FRONT HUB CAPS WITH WINDOW, CENTER AND SIDE PLUGS - OIL		
416-022	STANDARD SPINDLE NUTS FOR ALL AXLES		
405-003	HALDEX AUTOMATIC FRONT SLACK ADJUSTERS		
406-001	STANDARD KING PIN BUSHINGS		
536-055	TRW THP-60 POWER STEERING WITH RCH45 AUXILIARY GEAR	90	
539-003	POWER STEERING PUMP		
534-003	4 QUART POWER STEERING RESERVOIR		
533-001	OIL/AIR POWER STEERING COOLER		
40T-002	SYNTHETIC 75W-90 FRONT AXLE LUBE		



Prepared for:  
 MIKE GARAND  
 TOWN OF EAST MONTPELIER  
 40 KELTON ROAD  
 PO BOX 157  
 EAST MONTPELIER, VT 05651  
 Phone: 802-223-5870

Prepared by:  
 Sandy Ladd  
 R.R. CHARLEBOIS, INC.  
 158 QUARRY ROAD  
 PLATTSBURGH, NY 12901  
 Phone: 802-655-5040

Data Code	Description	Weight Front	Weight Rear
<b>Front Suspension</b>			
620-043	9,500# LEFT, 10,500# RIGHT MIXER/PLOW FLAT LEAF FRONT SUSPENSION (20,000#)	60	
619-004	GRAPHITE BRONZE BUSHINGS WITH SEALS - FRONT SUSPENSION		
410-001	FRONT SHOCK ABSORBERS		
<b>Rear Axle and Equipment</b>			
420-103	RT-46-160 46,000# R-SERIES TANDEM REAR AXLE		460
421-456	4.56 REAR AXLE RATIO		
424-001	IRON REAR AXLE CARRIER WITH STANDARD AXLE HOUSING		
386-075	MXL 18T MERITOR EXTENDED LUBE MAIN DRIVELINE WITH HALF ROUND YOKES	40	40
388-073	MXL 17T MERITOR EXTENDED LUBE INTERAXLE DRIVELINE WITH HALF ROUND YOKES		
452-006	DRIVER CONTROLLED TRACTION DIFFERENTIAL - BOTH TANDEM REAR AXLES		30
878-023	(1) INTERAXLE LOCK VALVE, (1) DRIVER CONTROLLED DIFFERENTIAL LOCK FORWARD-REAR AND REAR-REAR AXLE VALVE		
87A-005	INDICATOR LIGHT FOR EACH INTERAXLE LOCKOUT SWITCH		
87B-008	INDICATOR LIGHT FOR EACH DRIVER CONTROLLED TRACTION DEVICE SWITCH		
423-033	MERITOR 16.5X7 Q+ CAST SPIDER HEAVY DUTY CAM REAR BRAKES, DOUBLE ANCHOR, FABRICATED SHOES		
433-002	NON-ASBESTOS REAR BRAKE LINING		
434-011	BRAKE CAMS AND CHAMBERS ON FORWARD SIDE OF DRIVE AXLE(S)		
451-023	CONMET CAST IRON REAR BRAKE DRUMS		
425-002	REAR BRAKE DUST SHIELDS		10
440-021	SKF SCOTSEAL PLUS XL REAR OIL SEALS		
426-075	HALDEX GOLDSEAL LONGSTROKE 2-DRIVE AXLES SPRING PARKING CHAMBERS		
428-003	HALDEX AUTOMATIC REAR SLACK ADJUSTERS		
41T-002	SYNTHETIC 75W-90 REAR AXLE LUBE		
<b>Rear Suspension</b>			
622-286	TUFTRAC 46,000# REAR SPRING SUSPENSION		140
621-055	TUFTRAC STANDARD RIDE HEIGHT		
431-003	AXLE CLAMPING GROUP		





Prepared for:  
 MIKE GARAND  
 TOWN OF EAST MONTPELIER  
 40 KELTON ROAD  
 PO BOX 157  
 EAST MONTPELIER, VT 05651  
 Phone: 802-223-5870

Prepared by:  
 Sandy Ladd  
 R.R. CHARLEBOIS, INC.  
 158 QUARRY ROAD  
 PLATTSBURGH, NY 12901  
 Phone: 802-655-5040

Data Code	Description	Weight Front	Weight Rear
624-028	56 INCH AXLE SPACING		
623-006	FORE/AFT AND TRANSVERSE CONTROL RODS		
439-002	REAR SHOCK ABSORBERS - TWO AXLES (TANDEM)		40
<b>Brake System</b>			
490-100	WABCO 4S/4M ABS WITHOUT TRACTION CONTROL		
871-001	REINFORCED NYLON, FABRIC BRAID AND WIRE BRAID CHASSIS AIR LINES		
904-001	FIBER BRAID PARKING BRAKE HOSE		
412-001	STANDARD BRAKE SYSTEM VALVES		
432-003	RELAY VALVE WITH 5-8 PSI CRACK PRESSURE, NO REAR PROPORTIONING VALVE		
480-086	BW AD-9SI BRAKE LINE AIR DRYER WITH HEATER		
483-003	BENDIX OIL COALESCING FILTER FOR AIR DRYER		
479-005	AIR DRYER MOUNTED INBOARD ON RH RAIL		
460-007	ALUMINUM AIR BRAKE RESERVOIRS	-15	-15
607-001	CLEAR FRAME RAILS FROM BACK OF CAB TO FRONT REAR SUSPENSION BRACKET, BOTH RAILS OUTBOARD		
477-001	PULL CABLE ON WET TANK, PETCOCK DRAIN VALVES ON ALL OTHER AIR TANKS		
<b>Trailer Connections</b>			
914-001	AIR CONNECTIONS TO END OF FRAME WITH GLAD HANDS FOR TRUCK AND NO DUST COVERS		
296-010	PRIMARY CONNECTOR/RECEPTACLE WIRED FOR SEPARATE STOP/TURN, ABS CENTER PIN POWERED THROUGH IGNITION		
297-001	SAE J560 7-WAY PRIMARY TRAILER CABLE RECEPTACLE MOUNTED END OF FRAME		
<b>Wheelbase &amp; Frame</b>			
545-525	5250MM (207 INCH) WHEELBASE		
546-1B2	1/2X3.64X11-7/8 INCH STEEL FRAME (12.7MMX301.6MM/0.5X11.88 INCH) 120KSI	380	220
547-034	PARTIAL INNER FRAME REINFORCEMENT AT FRONT SUSPENSION	195	-5
548-803	BODY COMPANY INSTALLED ADDITIONAL FRONT FRAME REINFORCEMENT FOR SNOW PLOW		
552-030	1600MM (63 INCH) REAR FRAME OVERHANG		



Prepared for:  
 MIKE GARAND  
 TOWN OF EAST MONTPELIER  
 40 KELTON ROAD  
 PO BOX 157  
 EAST MONTPELIER, VT 05651  
 Phone: 802-223-5870

Prepared by:  
 Sandy Ladd  
 R.R. CHARLEBOIS, INC.  
 158 QUARRY ROAD  
 PLATTSBURGH, NY 12901  
 Phone: 802-655-5040

Data Code	Description	Weight Front	Weight Rear
55W-006	FRAME OVERHANG RANGE: 61 INCH TO 70 INCH		
549-002	24 INCH INTEGRAL FRONT FRAME EXTENSION	110	-10
AC8-99D	CALC'D BACK OF CAB TO REAR SUSP C/L (CA) : 125.78 in		
AE8-99D	CALCULATED EFFECTIVE BACK OF CAB TO REAR SUSPENSION C/L (CA) : 122.78 in		
AE4-99D	CALC'D FRAME LENGTH - OVERALL : 321.69		
AM6-99D	CALC'D SPACE AVAILABLE FOR DECKPLATE : 125.78 in		
FSS-0LH	CALCULATED FRAME SPACE LH SIDE : 56.21 in		
FSS-0RH	CALCULATED FRAME SPACE RH SIDE : 75.09 in		
553-001	SQUARE END OF FRAME		
559-001	STANDARD WEIGHT ENGINE CROSSMEMBER		
561-001	STANDARD CROSSMEMBER BACK OF TRANSMISSION		
562-001	STANDARD MIDSHIP #1 CROSSMEMBER(S)		
572-001	STANDARD REARMOST CROSSMEMBER		
565-002	HEAVY DUTY SUSPENSION CROSSMEMBER		
568-001	STANDARD WEIGHT REAR SUSPENSION CROSSMEMBER		

### Chassis Equipment

556-1E5	14 INCH PAINTED STEEL BUMPER		
574-001	BUMPER MOUNTING FOR SINGLE LICENSE PLATE		
586-015	FRONT ANTI-SPRAY CAB MOUNTED MUDFLAPS		
551-007	GRADE 8 THREADED HEX HEADED FRAME FASTENERS		

### Fuel Tanks

204-154	80 GALLON/302 LITER ALUMINUM FUEL TANK - LH	10	
218-006	25 INCH DIAMETER FUEL TANK(S)		
215-005	PLAIN ALUMINUM/PAINTED STEEL FUEL/HYDRAULIC TANK(S) WITH PAINTED BANDS		
212-007	FUEL TANK(S) FORWARD		
664-001	PLAIN STEP FINISH		
205-001	FUEL TANK CAP(S)		
216-020	EQUIFLO INBOARD FUEL SYSTEM		
202-016	HIGH TEMPERATURE REINFORCED NYLON FUEL LINE		
221-009	FUEL COOLER MOUNTED RIGHT HAND IN RAIL		



Prepared for:  
 MIKE GARAND  
 TOWN OF EAST MONTPELIER  
 40 KELTON ROAD  
 PO BOX 157  
 EAST MONTPELIER, VT 05651  
 Phone: 802-223-5870

Prepared by:  
 Sandy Ladd  
 R.R. CHARLEBOIS, INC.  
 158 QUARRY ROAD  
 PLATTSBURGH, NY 12901  
 Phone: 802-655-5040

Data Code	Description	Weight Front	Weight Rear
<b>Tires</b>			
093-2CC	MICHELIN XZU-S2 315/80R22.5 20 PLY RADIAL FRONT TIRES	100	
094-0E3	MICHELIN XDS 12R22.5 16 PLY RADIAL REAR TIRES		312
<b>Hubs</b>			
418-056	CONMET PRESET PLUS IRON FRONT HUBS		
450-056	CONMET PRESET PLUS IRON REAR HUBS		
<b>Wheels</b>			
502-1M3	ALCOA 89465X 22.5X9.00 10-HUB PILOT 5.96 INSET ALUMINUM DISC FRONT WHEELS	-24	
505-1M3	ALCOA 89465X 22.5X9.00 10-HUB PILOT 5.96 INSET ALUMINUM DISC REAR WHEELS		-160
496-011	FRONT WHEEL MOUNTING NUTS		
497-011	REAR WHEEL MOUNTING NUTS		
498-011	NYLON WHEEL GUARDS FRONT AND REAR ALL INTERFACES		
<b>Cab Exterior</b>			
829-1A8	110 INCH BBC STEEL CONVENTIONAL CAB		
82A-023	WESTERN STAR PAINTED ALUMINUM CAB SKIRT		
650-044	AIR CAB MOUNTS WITH CHECK VALVE		
705-007	STAINLESS STEEL SILL PLATES	5	
648-002	NONREMOVABLE BUGSCREEN MOUNTED BEHIND GRILLE		
667-001	FRONT FENDERS		
754-001	2 INCH FENDER EXTENSIONS	5	
678-039	LH AND RH EXTERIOR GRAB HANDLES WITH RUBBER INSERT AND LH AND RH INTERIOR GRAB HANDLES MOUNTED TO A POST		
646-008	STATIONARY BRIGHT FINISH GRILLE		
65X-003	CHROME HOOD MOUNTED AIR INTAKE GRILLE		
640-008	GALVANEALD STEEL SEVERE SERVICE CAB		
644-006	FIBERGLASS HOOD WITH ACCESS HATCHES	10	
690-002	TUNNEL/FIREWALL LINER		
727-012	DUAL HADLEY SD-978 26 INCH RECTANGULAR AIR HORNS		
726-001	SINGLE ELECTRIC HORN		
728-002	DUAL HORN SHIELDS		
657-1C3	ALL UNITS KEYED THE SAME WITH (3) KEYS, KEY CODE TO BE D519		



Prepared for:  
 MIKE GARAND  
 TOWN OF EAST MONTPELIER  
 40 KELTON ROAD  
 PO BOX 157  
 EAST MONTPELIER, VT 05651  
 Phone: 802-223-5870

Prepared by:  
 Sandy Ladd  
 R.R. CHARLEBOIS, INC.  
 158 QUARRY ROAD  
 PLATTSBURGH, NY 12901  
 Phone: 802-655-5040

Data Code	Description	Weight Front	Weight Rear
575-001	REAR LICENSE PLATE MOUNT END OF FRAME		
327-012	SWITCH, INDICATOR LIGHT AND WIRING FOR (2) CUSTOMER FURNISHED BEACONS		
312-072	SINGLE RECTANGULAR SEALED BEAM HEADLIGHTS WITH BRIGHT BEZELS		
302-022	LED MARKER LAMPS		
314-824	WIRING AND SWITCH FOR CUSTOMER FURNISHED SNOW PLOW LAMPS WITH DUAL CONNECTIONS AT BUMPER		
311-001	DAYTIME RUNNING LIGHTS		
294-001	INTEGRAL STOP/TAIL/BACKUP LIGHTS		
300-015	STANDARD FRONT TURN SIGNAL LAMPS		
744-1E2	DUAL WEST COAST STAINLESS STEEL HEATED MIRRORS WITH LIGHTS AND LH AND RH REMOTE		
797-001	DOOR MOUNTED MIRRORS		
796-001	102 INCH EQUIPMENT WIDTH		
743-1AA	LH AND RH SUREPLUS 574 8 INCH BRIGHT FINISH HEATED CONVEX MIRRORS WITH SEPARATE ADJUSTMENT, MOUNTED BELOW MIRROR		
74B-080	RH AND LH 8 INCH STAINLESS STEEL FENDER MOUNTED CONVEX MIRRORS WITH TRIPOD BRACKETS	8	
729-001	STANDARD SIDE/REAR REFLECTORS		
787-020	ELECTRIC DOOR LOCKS, MECHANICAL KEY TUMBLER		
677-054	RH AFTERTREATMENT SYSTEM CAB ACCESS WITH PLAIN DIAMOND PLATE COVER		
764-002	STAINLESS STEEL EXTERIOR SUN VISOR	28	
768-046	17.5X35 INCH TINTED REAR WINDOW		
661-006	TINTED DOOR GLASS		
654-011	RH AND LH ELECTRIC POWERED WINDOWS	4	
663-023	2-PIECE TINTED CURVED GASKET MOUNTED HEATED WINDSHIELD		
659-025	2 GALLON WINDSHIELD WASHER RESERVOIR WITHOUT FLUID LEVEL INDICATOR, MOUNTED UNDER CAB, WITH REMOTE FILL		

**Cab Interior**

707-1D4	SMOKY MOUNTAIN GRAY VINYL PREMIUM INTERIOR
70K-005	BLACK HARD TRIM
706-049	BASE LEFT HAND DOOR TRIM



Prepared for:  
 MIKE GARAND  
 TOWN OF EAST MONTPELIER  
 40 KELTON ROAD  
 PO BOX 157  
 EAST MONTPELIER, VT 05651  
 Phone: 802-223-5870

Prepared by:  
 Sandy Ladd  
 R.R. CHARLEBOIS, INC.  
 158 QUARRY ROAD  
 PLATTSBURGH, NY 12901  
 Phone: 802-655-5040

Data Code	Description	Weight Front	Weight Rear
708-049	BASE RIGHT HAND DOOR TRIM		
772-007	BLACK MATS WITH DOUBLE INSULATION		
785-016	DASH MOUNTED ASH TRAY AND (1) POWER OUTLET		
691-001	FORWARD ROOF MOUNTED CONSOLE		
694-009	PASSENGER SIDE WING DASH MOUNTED GLOVE BOX WITH LOCKING DOOR		
697-012	14"X7.75" DOCUMENT POUCH MOUNTED ON BACK WALL BETWEEN SEATS		
693-025	LH AND RH DOOR MAP POCKETS		
741-029	COAT HOOK ON RH BACKWALL OF CAB		
742-032	(1) DOUBLE CUP HOLDER WITH CELL PHONE HOLDER LH OR RH DASH		
680-034	TWO-TONE CHARCOAL UPPER/COOL GRAY LOWER SOFT TOUCH WING DASH WITH BLACK DRIVER SIDE COSMETIC UNDER DASH COVER		
320-004	STANDARD WIRING		
720-003	5 LB. FIRE EXTINGUISHER	10	
700-015	HEATER, DEFROSTER AND AIR CONDITIONER WITH COSMETIC COVER		
701-010	HVAC DUCTING WITH FOAM MAIN FRESH AIR FILTER AND OUTSIDE PRE-FILTER		
703-005	MAIN HVAC CONTROLS WITH RECIRCULATION SWITCH		
170-045	STANDARD HEATER PLUMBING WITH BALL SHUTOFF VALVES AT SUPPLY LINES ONLY		
130-033	DENSO HEAVY DUTY AIR CONDITIONER COMPRESSOR		
698-001	RADIATOR MOUNTED AIR CONDITIONER CONDENSER		
702-002	BINARY CONTROL, R-134A		
739-001	CAB INSULATION		
285-019	AUTOMATIC SELF-RESET CIRCUIT BREAKER IN MAIN DASH POWER DISTRIBUTION BOX AND CIRCUIT BREAKER/FUSE IN AUXILIARY POWER DISTRIBUTION BOXES		
324-075	DOOR ACTIVATED DOME LIGHT, UNDER DASH LIGHT AND LH AND RH DOOR MOUNTED COURTESY LIGHTS		
655-005	LH AND RH ELECTRIC DOOR LOCKS		
284-023	(1) 12 VOLT POWER SUPPLY IN DASH		
722-028	TRIANGULAR REFLECTORS KIT WITHOUT FLARES SHIPPED LOOSE IN CAB	10	



Prepared for:  
 MIKE GARAND  
 TOWN OF EAST MONTPELIER  
 40 KELTON ROAD  
 PO BOX 157  
 EAST MONTPELIER, VT 05651  
 Phone: 802-223-5870

Prepared by:  
 Sandy Ladd  
 R.R. CHARLEBOIS, INC.  
 158 QUARRY ROAD  
 PLATTSBURGH, NY 12901  
 Phone: 802-655-5040

Data Code	Description	Weight Front	Weight Rear
756-1D9	PREMIUM HIGH BACK AIR SUSPENSION DRIVER SEAT WITH 3 CHAMBER AIR LUMBAR, INTEGRATED CUSHION EXTENSION, FORWARD AND REAR CUSHION TILT, ADJUSTABLE SHOCK ABSORBER	40	
760-294	BATTERY BOX MID BACK NON SUSPENSION PASSENGER SEAT		
757-001	BLACK SUSPENSION COVER FOR AIR DRIVER SEAT	2	
759-007	DUAL DRIVER SEAT ARMRESTS, NO PASSENGER SEAT ARMRESTS	4	
758-014	BLACK CORDURA PLUS CLOTH DRIVER SEAT COVER		
761-014	BLACK CORDURA PLUS CLOTH PASSENGER SEAT COVER		
763-003	3 POINT DRIVER AND PASSENGER SEAT BELT RETRACTORS		
532-002	ADJUSTABLE TILT AND TELESCOPING STEERING COLUMN		
540-023	2-SPOKE 18 INCH (450MM) BLACK LEATHER WRAPPED STEERING WHEEL		
765-002	DRIVER AND PASSENGER INTERIOR SUN VISORS		

### Instruments & Controls

185-002	NON-ADJUSTABLE SUSPENDED PEDALS		
870-005	STAR GAUGES WITH BRIGHT BEZELS		
732-018	ROYAL ROSEWOOD MATTE FINISH DRIVER INSTRUMENT PANEL		
734-017	ROSEWOOD VINYL MATTE FINISH CENTER INSTRUMENT PANEL INSERT		
486-001	LOW AIR PRESSURE INDICATOR LIGHT AND AUDIBLE ALARM		
840-002	2 INCH PRIMARY AND SECONDARY AIR PRESSURE GAUGES		
198-024	FILTERMINDER DASH MOUNTED AIR RESTRICTION GAUGE	2	
721-001	97 DB BACKUP ALARM		3
149-012	CRUISE CONTROL SWITCHES IN THE CENTER PANEL		
156-007	KEY OPERATED IGNITION SWITCH AND INTEGRAL START POSITION; 4 POSITION OFF/RUN/START/ACCESSORY		
811-1AJ	DATASTAR DRIVER DISPLAY AND WARNING LAMP/LIGHT BAR DISPLAY, NON-DATA LINKED		



Prepared for:  
 MIKE GARAND  
 TOWN OF EAST MONTPELIER  
 40 KELTON ROAD  
 PO BOX 157  
 EAST MONTPELIER, VT 05651  
 Phone: 802-223-5870

Prepared by:  
 Sandy Ladd  
 R.R. CHARLEBOIS, INC.  
 158 QUARRY ROAD  
 PLATTSBURGH, NY 12901  
 Phone: 802-655-5040

Data Code	Description	Weight Front	Weight Rear
160-038	HEAVY DUTY ONBOARD DIAGNOSTICS INTERFACE CONNECTOR LOCATED BELOW LH DASH		
844-001	2 INCH ELECTRIC FUEL GAUGE		
845-011	FUEL FILTER RESTRICTION INDICATOR		
148-003	PROGRAMMABLE RPM CONTROL - ELECTRONIC ENGINE		
856-001	ELECTRICAL ENGINE COOLANT TEMPERATURE GAUGE		
854-001	ENGINE OIL TEMPERATURE GAUGE		
864-001	2 INCH TRANSMISSION OIL TEMPERATURE GAUGE		
867-016	OUTSIDE AIR TEMPERATURE GAUGE WITH FAHRENHEIT AND CELSIUS DISPLAY MOUNTED IN OVERHEAD CONSOLE		
852-002	ELECTRIC ENGINE OIL PRESSURE GAUGE		
746-1B0	AM/FM/WB RADIO WITH CD PLAYER, BLUETOOTH AND MICROPHONE, USB, FRONT AND REAR AUXILIARY INPUTS AND J1939	10	
747-002	ROOF/OVERHEAD CONSOLE MOUNTED RADIO		
750-004	(4) RADIO SPEAKERS IN CAB		
753-021	AM/FM ANTENNA MOUNTED ON LH FRONT A-PILLAR	2	
748-026	POWER AND GROUND WIRING FOR CB RADIO IN OVERHEAD CONSOLE		
752-017	MULTI-BAND AM/FM/WB/CB LH MIRROR MOUNTED ANTENNA SYSTEM		
810-042	ELECTRONIC MPH SPEEDOMETER WITH SECONDARY KPH SCALE, WITH ODOMETER		
817-001	STANDARD VEHICLE SPEED SENSOR		
812-003	ELECTRONIC 3000 RPM TACHOMETER WITH HOUR METER		
813-1B4	DETROIT CONNECT VIRTUAL TECHNICIAN CONNECTIVITY PACKAGE (DETROIT ENGINES ONLY)		
81X-001	2 YEARS DETROIT CONNECT VIRTUAL TECHNICIAN REMOTE DIAGNOSTICS SERVICE		
162-002	IGNITION SWITCH CONTROLLED ENGINE STOP		
329-072	SIX IGNITION CONTROLLED EXTRA SWITCHES WITH INDICATOR LIGHT, 20 AMPS, WIRED BEHIND PASSENGER SEAT		
482-001	BW TRACTOR PROTECTION VALVE		
883-001	TRAILER HAND CONTROL BRAKE VALVE		
836-001	2 INCH VOLTMETER		



Prepared for:  
 MIKE GARAND  
 TOWN OF EAST MONTPELIER  
 40 KELTON ROAD  
 PO BOX 157  
 EAST MONTPELIER, VT 05651  
 Phone: 802-223-5870

Prepared by:  
 Sandy Ladd  
 R.R. CHARLEBOIS, INC.  
 158 QUARRY ROAD  
 PLATTSBURGH, NY 12901  
 Phone: 802-655-5040

Data Code	Description	Weight Front	Weight Rear
660-001	SINGLE ELECTRIC WINDSHIELD WIPER MOTOR WITH DELAY AND ARCTIC TYPE BLADES		
304-026	CAB MARKER LIGHT AND HEADLIGHT SWITCH WITH SEPARATE SWITCH AND TERMINALS FOR CUSTOMER FURNISHED SNOW PLOW LIGHTS AND TURN SIGNALS		
882-004	TWO VALVE PARKING BRAKE SYSTEM WITH WARNING INDICATOR		
299-037	SELF CANCELING TURN SIGNAL SWITCH WITH INTEGRAL HEADLAMP DIMMER WITH BRAKE OVERRIDE		
298-036	PACIFIC INSIGHT ELECTRONIC FLASHER		

**Design**

065-000 PAINT: ONE SOLID COLOR

**Color**

980-5D8 CAB COLOR A: L0753EB RED ELITE BC  
 96J-001 CAB INTERIOR PAINTED SAME AS CAB COLOR  
 986-020 BLACK, HIGH SOLIDS POLYURETHANE CHASSIS PAINT  
 964-993 BUMPER PAINTED SAME AS CHASSIS

**Certification / Compliance**

996-001 U.S. FMVSS CERTIFICATION, EXCEPT SALES CABS AND GLIDER KITS

**Sales Programs**

NO SALES PROGRAMS HAVE BEEN SELECTED

**TOTAL VEHICLE SUMMARY**

**Weight Summary**

	Weight Front	Weight Rear	Total Weight
Factory Weight <sup>+</sup>	10520 lbs	8011 lbs	18531 lbs
<b>Total Weight<sup>+</sup></b>	<b>10520 lbs</b>	<b>8011 lbs</b>	<b>18531 lbs</b>





**Prepared for:**  
MIKE GARAND  
TOWN OF EAST MONTPELIER  
40 KELTON ROAD  
PO BOX 157  
EAST MONTPELIER , VT 05651  
Phone: 802-223-5870

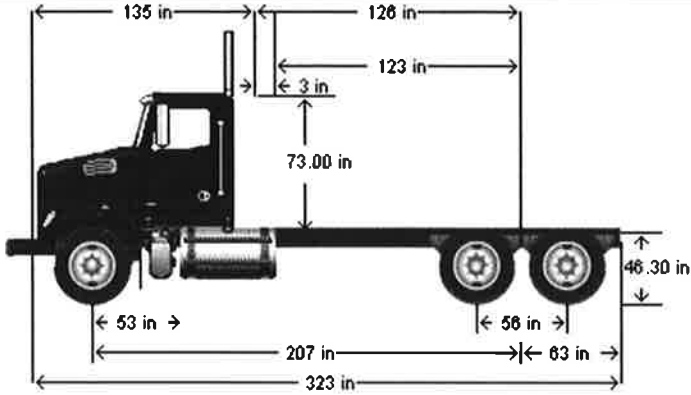
**Prepared by:**  
Sandy Ladd  
R.R. CHARLEBOIS, INC.  
158 QUARRY ROAD  
PLATTSBURGH, NY 12901  
Phone: 802-655-5040

(+) Weights shown are estimates only.  
If weight is critical, contact Customer Application Engineering.

Prepared for:  
 MIKE GARAND  
 TOWN OF EAST MONTPELIER  
 40 KELTON ROAD  
 PO BOX 157  
 EAST MONTPELIER, VT 05651  
 Phone: 802-223-5870

Prepared by:  
 Sandy Ladd  
 R.R. CHARLEBOIS, INC.  
 158 QUARRY ROAD  
 PLATTSBURGH, NY 12901  
 Phone: 802-655-5040

## DIMENSIONS



### VEHICLE SPECIFICATIONS SUMMARY - DIMENSIONS

Model.....	4700SF
Wheelbase (545).....	5250MM (207 INCH) WHEELBASE
Rear Frame Overhang (552).....	1600MM (63 INCH) REAR FRAME OVERHANG
Fifth Wheel (578).....	NO FIFTH WHEEL
Mounting Location (577).....	NO FIFTH WHEEL LOCATION
Maximum Forward Position (in).....	0
Maximum Rearward Position (in).....	0
Amount of Slide Travel (in).....	0
Slide Increment (in).....	0
Desired Slide Position (in).....	0.0
Cab Size (829).....	110 INCH BBC STEEL CONVENTIONAL CAB
Sleeper (682).....	NO SLEEPER BOX/SLEEPER CAB
Exhaust System (016).....	RH OUTBOARD UNDER STEP MOUNTED HORIZONTAL AFTERTREATMENT SYSTEM ASSEMBLY WITH RH B-PILLAR MOUNTED VERTICAL TAILPIPE

### TABLE SUMMARY - DIMENSIONS



**Prepared for:**  
 MIKE GARAND  
 TOWN OF EAST MONTPELIER  
 40 KELTON ROAD  
 PO BOX 157  
 EAST MONTPELIER, VT 05651  
 Phone: 802-223-5870

**Prepared by:**  
 Sandy Ladd  
 R.R. CHARLEBOIS, INC.  
 158 QUARRY ROAD  
 PLATTSBURGH, NY 12901  
 Phone: 802-655-5040

Dimensions	Inches
Bumper to Back of Cab (BBC)	134.5
Bumper to Centerline of Front Axle (BA)	53.3
Min. Cab to Body Clearance (CB)	3.0
Back of Cab to Centerline of Rear Axle(s) (CA)	125.8
Effective Back of Cab to Centerline of Rear Axle(s) (Effective CA)	122.8
Back of Cab Protrusions (Exhaust/Intake) (CP)	2.0
Back of Cab Protrusions (Side Extenders/Trim Tab) (CP)	0.0
Back of Cab Protrusions (CNG Tank)	0.0
Back of Cab Clearance (CL)	3.0
Back of Cab to End of Frame	188.8
Cab Height (CH)	73.0
Wheelbase (WB)	207.0
Frame Overhang (OH)	63.0
Overall Length (OAL)	323.3
Rear Axle Spacing	56.0
Unladen Frame Height at Centerline of Rear Axle	46.3

Performance calculations are estimates only. If performance calculations are critical, please contact Customer Application Engineering.



**Prepared for:**  
 MIKE GARAND  
 TOWN OF EAST MONTPELIER  
 40 KELTON ROAD  
 PO BOX 157  
 EAST MONTPELIER, VT 05651  
 Phone: 802-223-5870

**Prepared by:**  
 Sandy Ladd  
 R.R. CHARLEBOIS, INC.  
 158 QUARRY ROAD  
 PLATTSBURGH, NY 12901  
 Phone: 802-655-5040

**G V W R**

**VEHICLE SPECIFICATIONS SUMMARY - GVWR**

Model.....	4700SF
Cab Size (829) .....	110 INCH BBC STEEL CONVENTIONAL CAB
Expected Front Axle(s) Load (lbs) .....	20000.0
Expected Pusher Axle(s) Load (lbs) .....	0.0
Expected Rear Axle(s) Load (lbs) .....	46000.0
Expected Tag Axle(s) Load (lbs) .....	0.0
Expected GVW (lbs) .....	66000
Expected GCW (lbs) .....	80000.0
Front Axle (400) .....	MFS-20-133A 20,000# FL1 71.0 INCH KPI/3.74 INCH DROP SINGLE FRONT AXLE
Front Suspension (620) .....	9,500# LEFT, 10,500# RIGHT MIXER/PLOW FLAT LEAF FRONT SUSPENSION (20,000#)
Front Hubs (418) .....	CONMET PRESET PLUS IRON FRONT HUBS
Front Disc Wheels (502) .....	ALCOA 89465X 22.5X9.00 10-HUB PILOT 5.96 INSET ALUMINUM DISC FRONT WHEELS
Front Tires (093) .....	MICHELIN XZU-S2 315/80R22.5 20 PLY RADIAL FRONT TIRES
Front Brakes (402) .....	MERITOR 16.5X6 Q+ CAST SPIDER CAM FRONT BRAKES, DOUBLE ANCHOR, FABRICATED SHOES
Steering Gear (536) .....	TRW THP-60 POWER STEERING WITH RCH45 AUXILIARY GEAR
Rear Axle (420) .....	RT-46-160 46,000# R-SERIES TANDEM REAR AXLE
Rear Suspension (622) .....	TUFTRAC 46,000# REAR SPRING SUSPENSION
Rear Hubs (450) .....	CONMET PRESET PLUS IRON REAR HUBS
Rear Disc Wheels (505) .....	ALCOA 89465X 22.5X9.00 10-HUB PILOT 5.96 INSET ALUMINUM DISC REAR WHEELS
Rear Tires (094) .....	MICHELIN XDS 12R22.5 16 PLY RADIAL REAR TIRES
Rear Brakes (423) ..	MERITOR 16.5X7 Q+ CAST SPIDER HEAVY DUTY CAM REAR BRAKES, DOUBLE ANCHOR, FABRICATED SHOES
Pusher / Tag Axle (443) .....	NO PUSHER OR TAG AXLE
Pusher / Tag Suspension (626) .....	NO PUSHER OR TAG SUSPENSION
Pusher / Tag Hubs (449) .....	NO PUSHER OR TAG HUBS
Pusher/Tag Disc Wheels (509) .....	NO PUSHER/TAG DISC WHEELS
Pusher / Tag Tires (095) .....	NO PUSHER/TAG TIRES
Pusher / Tag Brakes (456) .....	NO PUSHER/TAG BRAKES

**TABLE SUMMARY - GVWR**



**Prepared for:**  
 MIKE GARAND  
 TOWN OF EAST MONTPELIER  
 40 KELTON ROAD  
 PO BOX 157  
 EAST MONTPELIER, VT 05651  
 Phone: 802-223-5870

**Prepared by:**  
 Sandy Ladd  
 R.R. CHARLEBOIS, INC.  
 158 QUARRY ROAD  
 PLATTSBURGH, NY 12901  
 Phone: 802-655-5040

	Front	Rear 1	Rear 2
<b>Axle Component Weight Ratings</b>			
<b>Axes</b>	20000	23000	23000
<b>Suspension</b>	20000	23000	23000
<b>Hubs</b>	23000	26000	26000
<b>Brakes</b>	20000	24999	24999
<b>Wheels</b>	20000	40000	40000
<b>Tires</b>	20000	27120	27120
<b>Power Steering</b>	22000	N/A	N/A
<b>GAWR (per axle)</b>	20000	23000	23000
<b>GAWR (per axle system)</b>	20000		46000
<b>Expected Load (per axle system)</b>	20000		46000
<b>Vehicle GVWR Summary</b>			
<b>Calculated GVWR</b>	66000		
<b>Expected GVWR</b>	66000		
<b>All weights displayed in pounds</b>			

Performance calculations are estimates only. If performance calculations are critical, please contact Customer Application Engineering.



