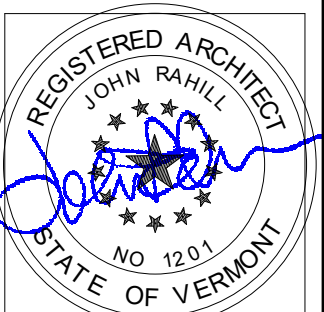


DEMERS AUTOBODY AND SALON
East Montpelier, Vermont



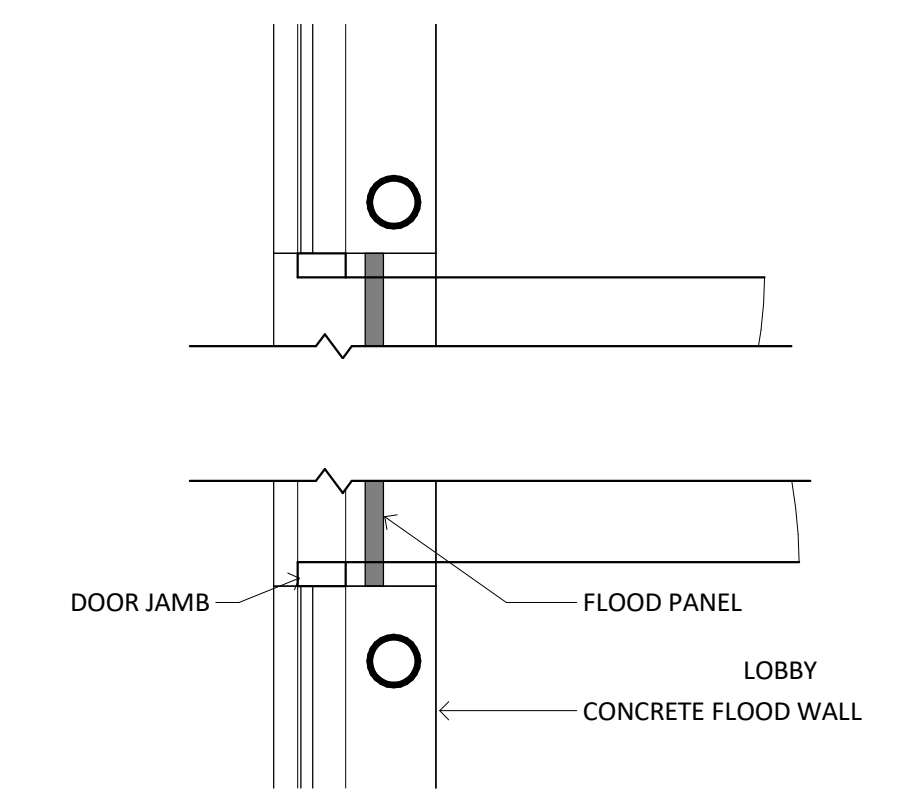
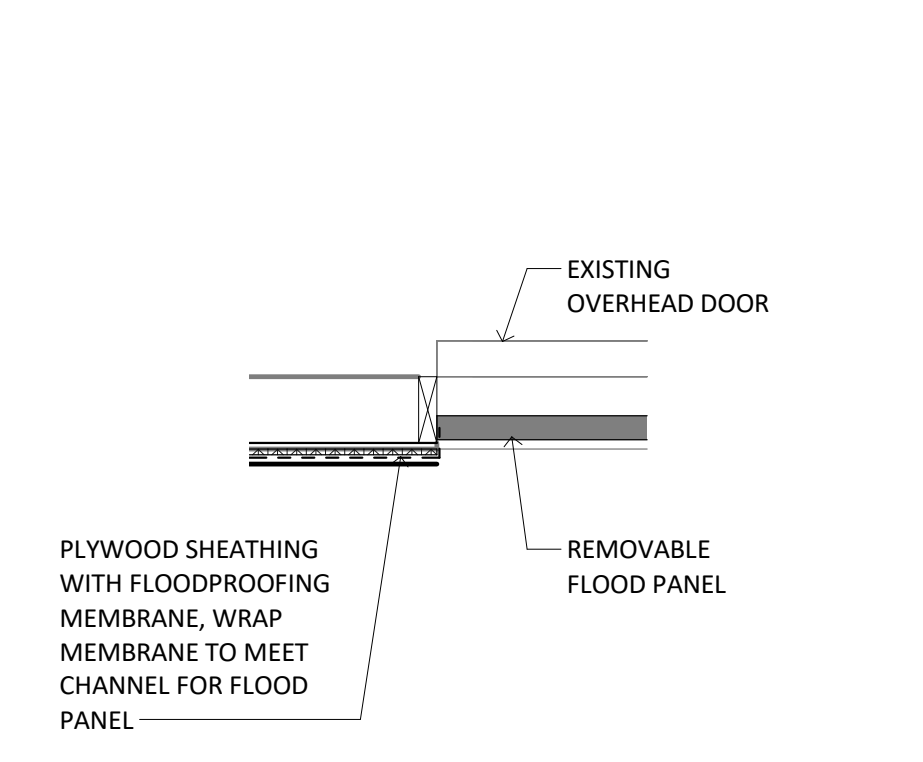
BLACK RIVER DESIGN ARCHITECTS

REVISIONS	
1	2021-10-15

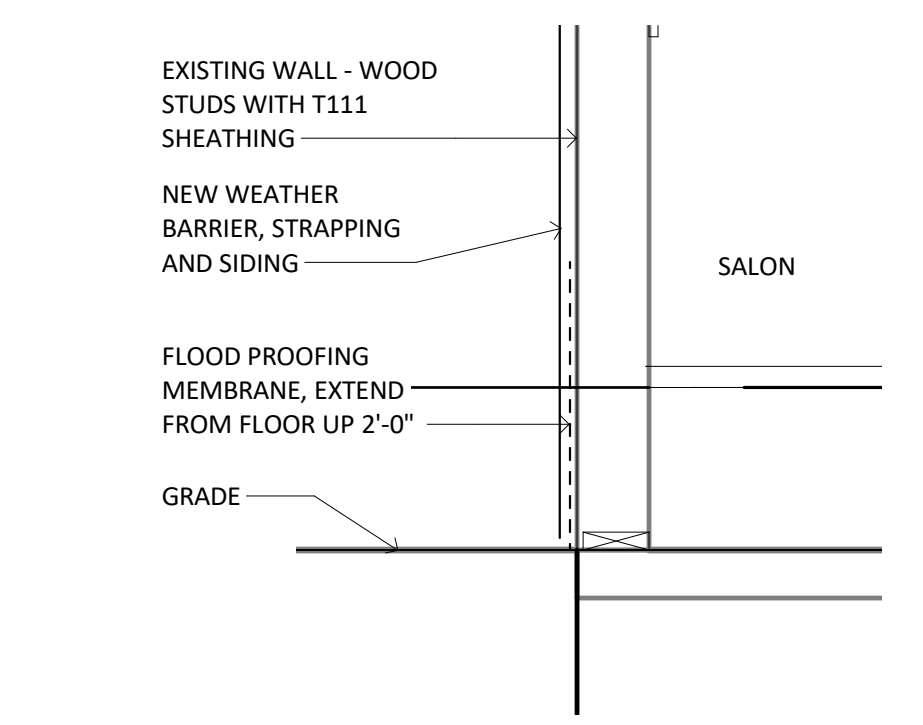
FLOODPROOFING DETAILS
SCALE: 3/4" = 1'-0"
DATE: 5/13/2021
DRAWN BY: Author
CHECKED BY: Checker

A8

5 PLAN AT GARAGE DOORS
SCALE: 3/4" = 1'-0"

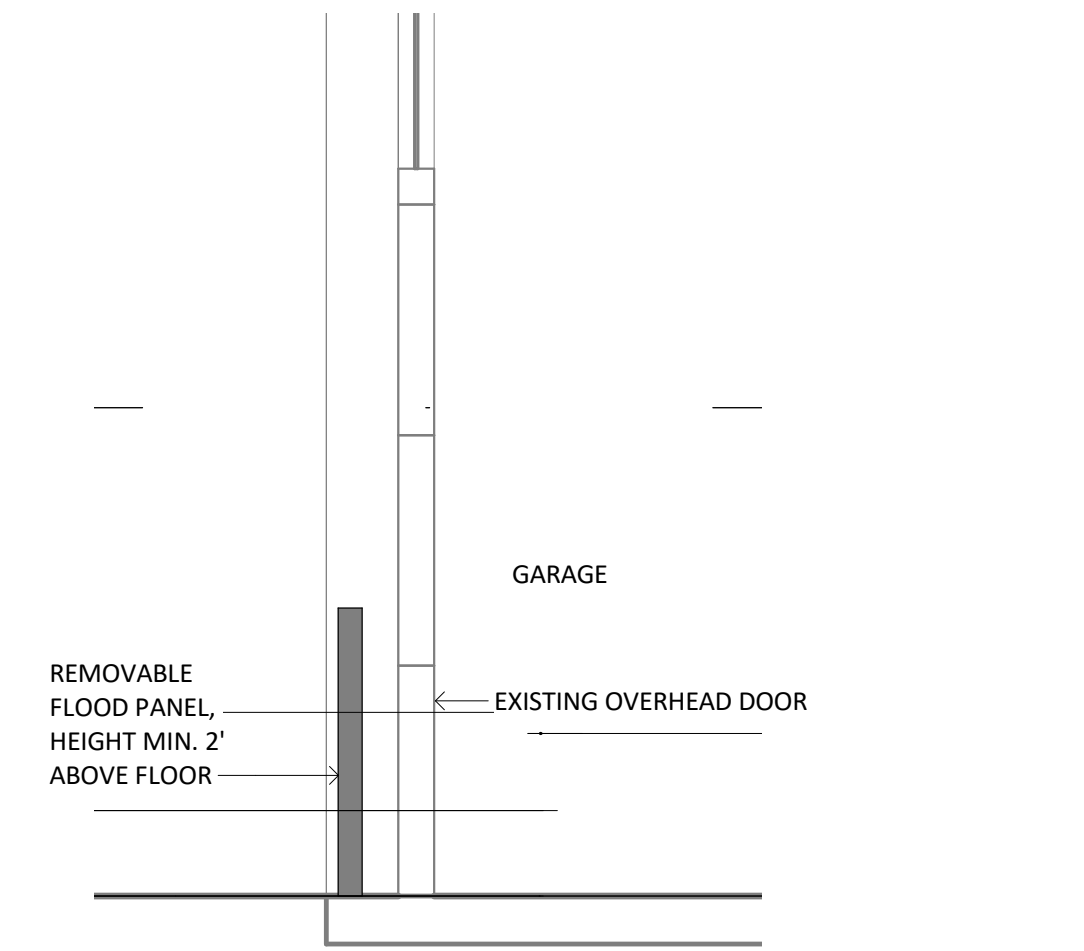


4 FLOOD PANEL AT AUTO SHOP LOBBY DOORS
SCALE: 3/4" = 1'-0"

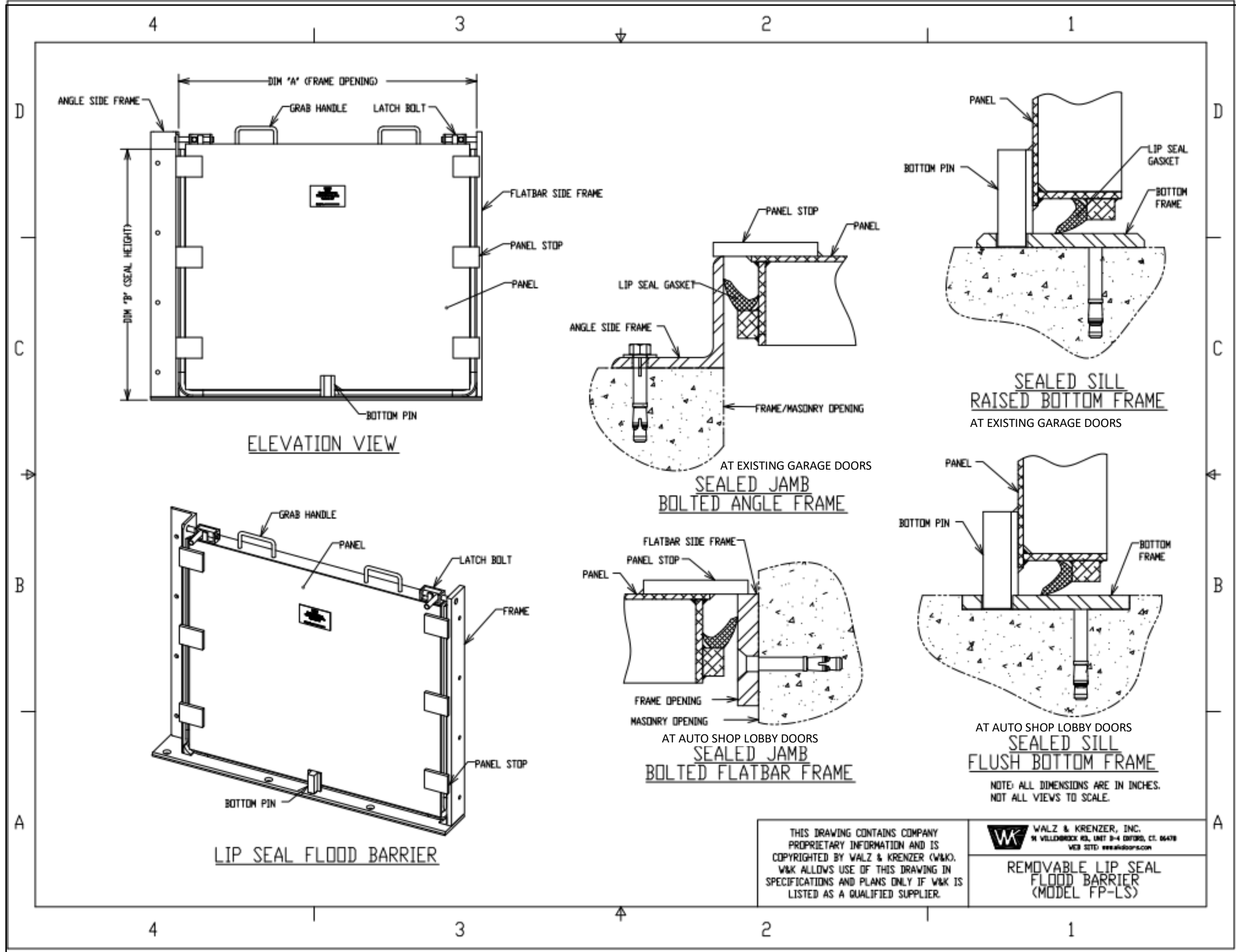
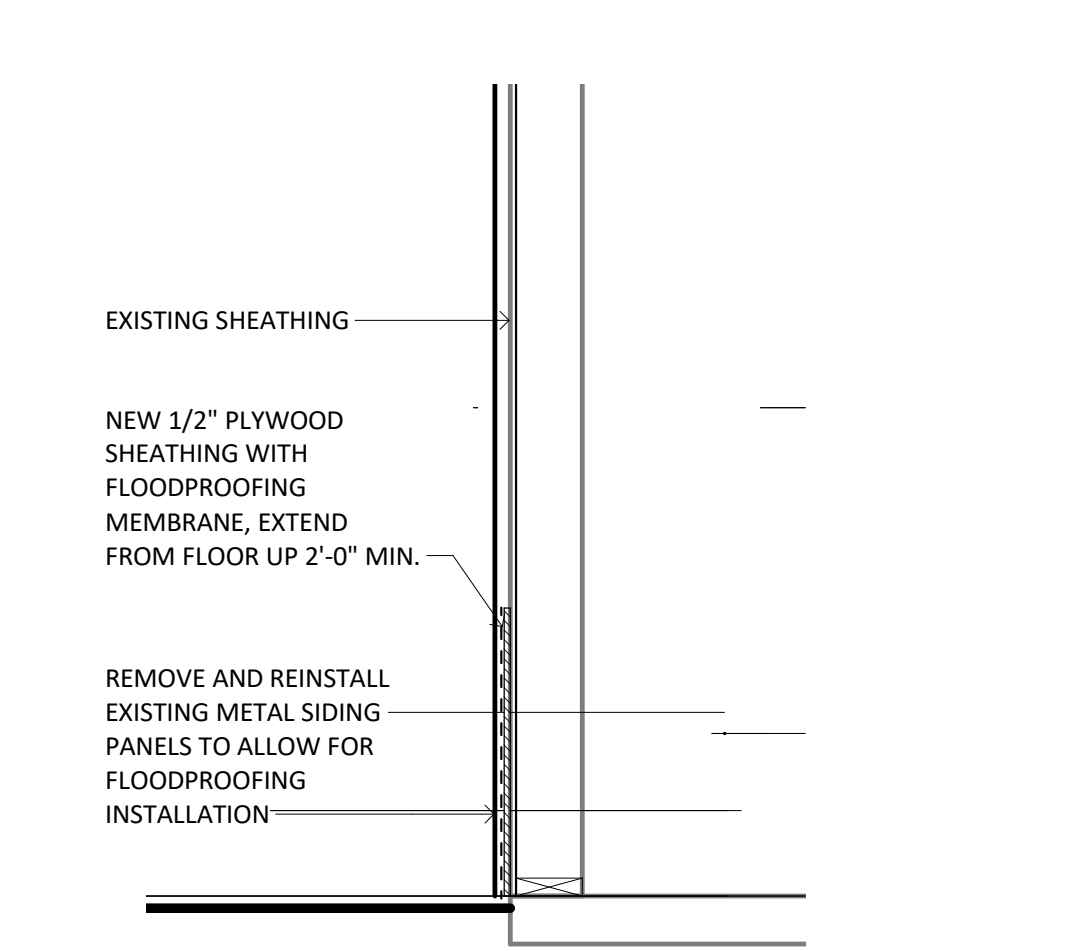


1 SECTION AT EXISTING FRONT WALL
SCALE: 3/4" = 1'-0"

2 SECTION AT EXISTING OVERHEAD DOOR
SCALE: 3/4" = 1'-0"



3 SECTION AT EXISTING GARAGE WALL
SCALE: 3/4" = 1'-0"



11/15/2021 11:24:45 AM